

MT2.7TWB-4

Professional Super Tweeter

MOTO
SERIES

PRV
AUDIO
BRAZIL

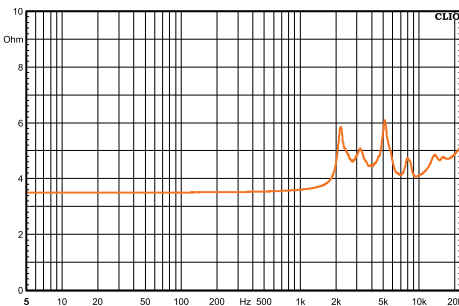
KEY FEATURES

- 1.4" Voice Coil
- 70 Watts Nominal Power Handling

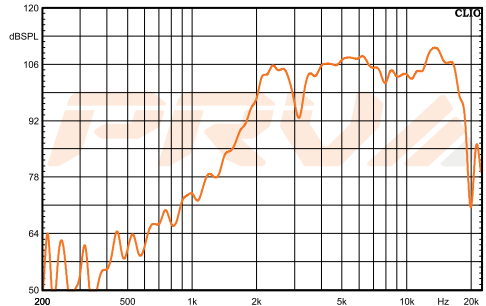
GENERAL SPECIFICATIONS

Nominal Impedance	4 Ohm
Nominal Power Handling	70 Watts
Continuous Program Power (RMS)	140 Watts
Max Peak Power	280 Watts
Sensitivity 2.00V at 1m	107 dB
Recommended Hi Pass Crossover*	5000 Hz*
*For Full Power Handling	*12db Per Octave Crossover
Frequency Response at -10dB	4,000 - 20,000 Hz
Voice Coil Diameter	1.4"
Voice Coil Wire	CCAW
Voice Coil Former Material	Kapton®
Diaphragm Material	Titanium
Magnet Material	Neodymium

Impedance Curve - Free Air



Frequency Response Measured at 2.00V/1m



$$**X_{max} = (\text{Voice coil winding depth} - \text{Magnetic Gap depth}) / 2 + \text{Magnetic Gap Depth} / 4$$

MT2.7TWB-4

Professional Super Tweeter

MOTO
SERIES

PRVA
AUDIO
BRAZIL

KEY FEATURES

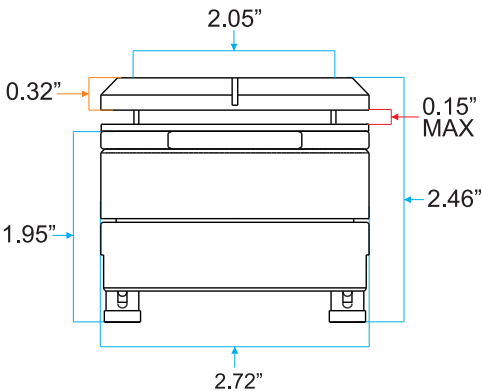
- 107 dB Sensitivity
- Titanium Diaphragm



EXTRA INFO

Overall Height	2.46"
Mounting Depth	1.75" / 1.95"
Overall Diameter	2.72"
Cutout Diameter	2.05"
Net Weight	1.59 Lbs
Shipping Weight	1.72 Lbs
Carton Dimensions W x L x H	4.33" x 3.85" x 3.11"

Mounting option 1:
Thin baffle - 0.15" Max



Mounting option 2:
Thick baffle - 0.35" Max

