

WG175Ph

Professional Compression Driver



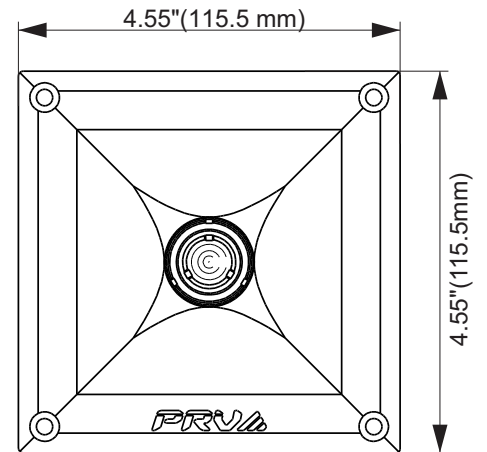
KEY FEATURES

- 1" Voice coil and 1" exit
- 75 Watts nominal power handling
- 108 dB Sensitivity
- Phenolic Diaphragm
- 1,300-16,000Hz



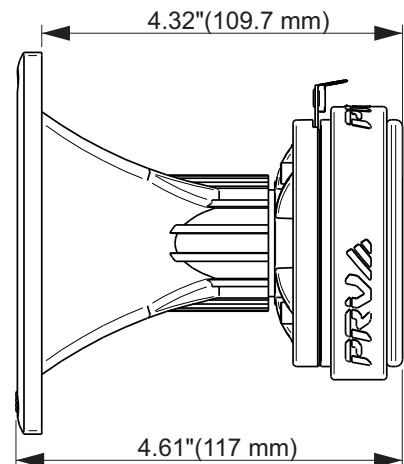
GENERAL SPECIFICATIONS

Exit Throat Diameter	1" (25.4 mm)
Nominal Impedance	8 Ohms
Nominal Power Handling	75 Watts
Continuous Program Power (RMS)	150Watts
Peak Power	300Watts
Sensitivity 2.83V at 1m*	108 dB
Recommended High Pass Crossover**	3000 Hz***
for Full Power Handling	*12 db/oct Crossover
Frequency Response at -10dB	1,300-16,000Hz
Voice Coil Diameter	1"(25.4 mm)
Voice Coil Wire	CCAW
Voice Coil Former Material	Kapton®
Diaphragm Material	Phenolic Resin
Flux Density	1.02 T
Magnet Material	Ferrite

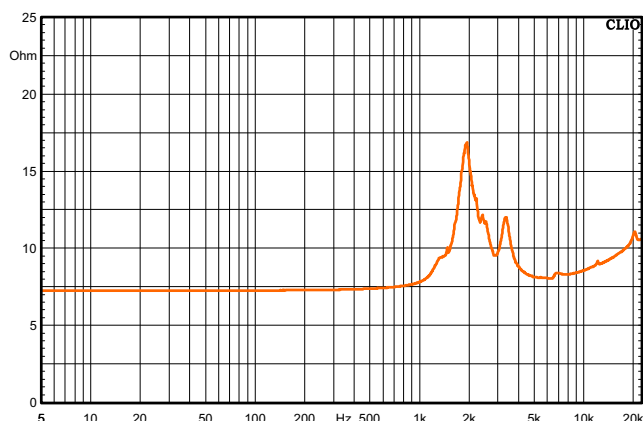


EXTRA INFO

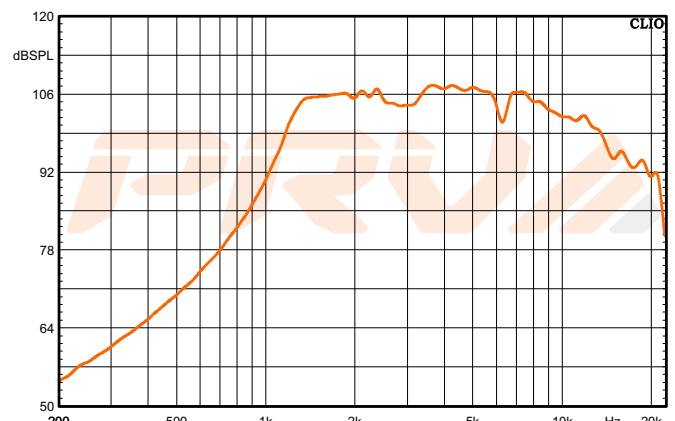
Overall Depth	4.61" (117.0 mm)
Mounting Depth	4.32" (109.7 mm)
Overall Width	4.55" (115.5 mm)
Overall Height	4.55" (115.5 mm)
Baffle Cutout WxH	3.50" x 3.50" (89.0 x 89.0 mm)
Net Weight	1.9lbs (0.86 kg)
Shipping Weight	2.0lbs (0.92 kg)
Carton Dimensions W x L x H	4.80" x 4.80" x 4.96" (122 x 122 x 126 mm)



Impedance Curve - Free Air



Frequency Response Measured at 2.83V/1m



PRV AUDIO USA (USA and Export) PRV AUDIO BRAZIL (Brazilian Sales Only)
 POMPANO BEACH, FL SAO LEOPOLDO, RS
 support@prvaudio.com vendas@pvaudio.com.br
 www.prvaudio.com www.pvaudio.com.br