

10MB1000FT

Professional Mid Bass Driver



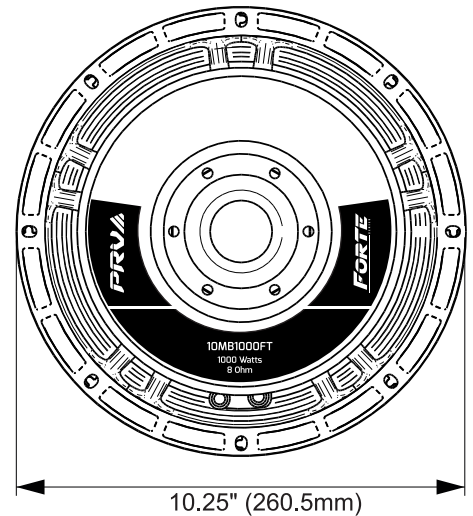
KEY FEATURES

- 3" Voice coil
- 1000 Watts Continuous Program Power
- 97.5 dB Sensitivity
- 75 - 7,000 Hz



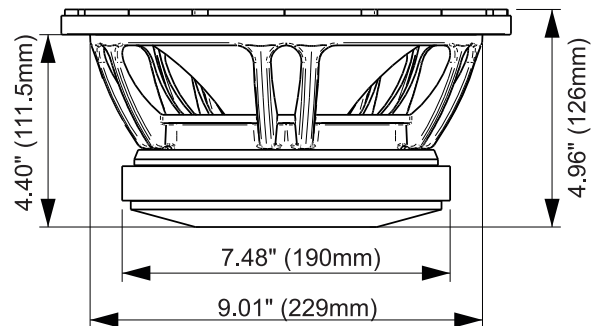
GENERAL SPECIFICATIONS

Nominal Diameter	10" (254 mm)
Nominal impedance	8 Ohm
Nominal Power Handling	500 Watts
Continuous Program Power (RMS)	1000 Watts
Max Peak Power	2000 Watts
Sensitivity 2.83V at 1m	97.5 dB
Recommended Hi Pass Crossover*	120 Hz*
<small>*For Full Power Handling</small>	<small>*12db Per Octave Crossover</small>
Frequency Response	75 - 7,000 Hz
Voice Coil Diameter	3" (75 mm)
Voice Coil Wire	CCAW
Voice Coil Winding Depth	16.5 mm
Former Material	Glass Fiber
Magnetic Gap Depth	9.5 mm
Frame Material	Die Cast Aluminum



THIELE-SMALL PARAMETERS

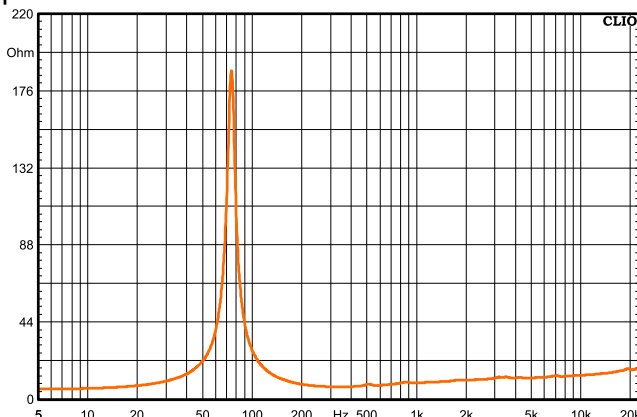
Equivalent Volume	Vas	32.3 l
Excursion (mathematical)***	Xmax	5.87 mm
Free Air Resonance	Fs	75.0 Hz
Mechanical Factor	Qms	12.41
Electrical Factor	Qes	0.33
Total Factor	Qts	0.32
Cone Area	Sd	380 cm ²
Mechanical Mass	Mms	28.10 g
Bl Factor	BL	14.49 Tm
Dc Resistance	Re	5.3 Ohm
Inductance	Le	0.26 mH at 1 kHz
Mechanical Mass Without Air	Mmd	23.30 g
Mechanical Compliance	Cms	0.160 mm/N



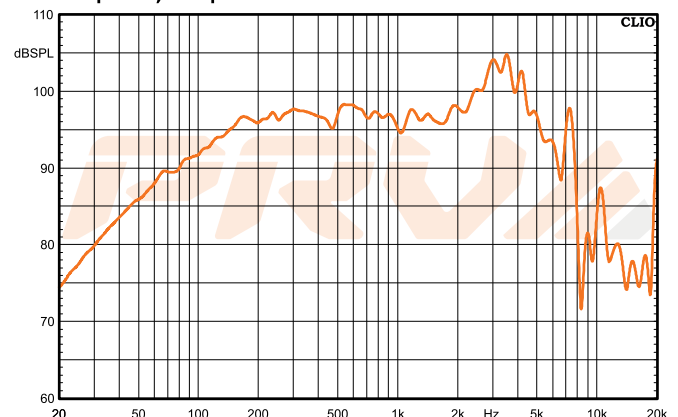
EXTRA INFO

Overall Diameter	10.25" (260.5 mm)
Front Mount Baffle Cutout	9.01" (229 mm)
Mounting Depth	4.40" (111.5 mm)
Overall Depth	4.96" (126 mm)
Net Weight	15.0 Lbs (6.8 kg)
Shipping Weight	16.6 Lbs (7.54 kg)
Carton Dimensions W x L x H	11.61" x 11.61" x 6.30" (295 x 295 x 160 mm)

Impedance Curve - Free Air



Frequency Response Measured at 2.83V/1m



***Xmax=(Voice coil winding depth-Magnetic Gap depth)/2+ Magnetic Gap Depth/4

PRV AUDIO USA (USA and Export)
POMPANO BEACH, FL
support@prv.audio.com
www.prv.audio.com