

# 12MR2000-NDY

Professional Midrange Loudspeaker



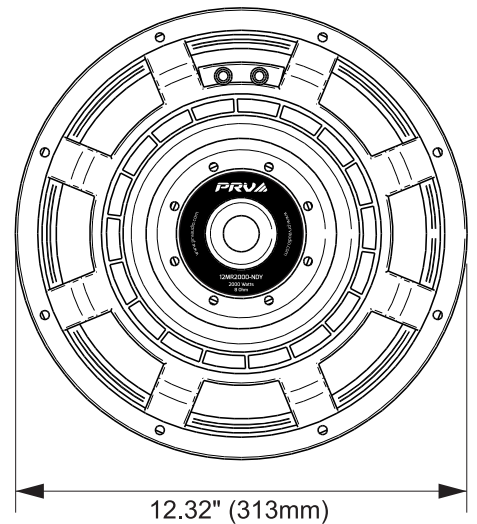
## KEY FEATURES

- Large 4" Voice Coil
- 2000 Watts Continuous Program Power
- 98 dB Sensitivity
- 68 - 4,800 Hz of frequency response
- Lightweight Neodymium magnet



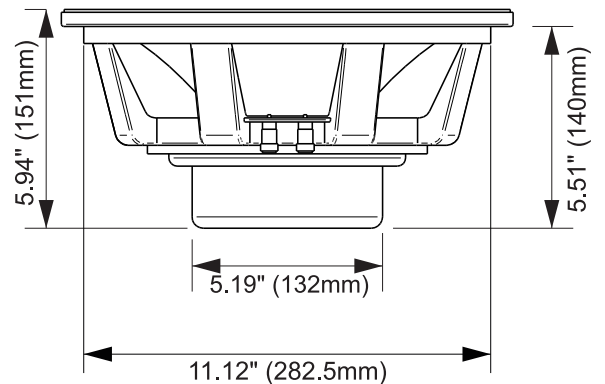
## GENERAL SPECIFICATIONS

|   |   |
|---|---|
| Nominal Diameter                        | 12" (305 mm)                              |
| Nominal impedance                       | 8 Ohm                                     |
| <b>Nominal Power Handling</b>           | <b>1000 Watts</b>                         |
| Continuous Program Power (RMS)          | 2000 Watts                                |
| Max Peak Power                          | 4000 Watts                                |
| <b>Sensitivity 2.83V at 1m</b>          | <b>98 dB</b>                              |
| Recommended Hi Pass Crossover*          | 145 Hz*                                   |
| <small>*For Full Power Handling</small> | <small>*12db Per Octave Crossover</small> |
| <b>Frequency Response</b>               | <b>68 - 4,800 Hz</b>                      |
| Voice Coil Diameter                     | 4" (101 mm)                               |
| Voice Coil Wire                         | Copper                                    |
| Voice Coil Winding Depth                | 16.8 mm                                   |
| Former Material                         | Glass Fiber                               |
| Magnetic Gap Depth                      | 9.0 mm                                    |
| Frame Material                          | Die Cast Aluminum                         |



## THIELE-SMALL PARAMETERS

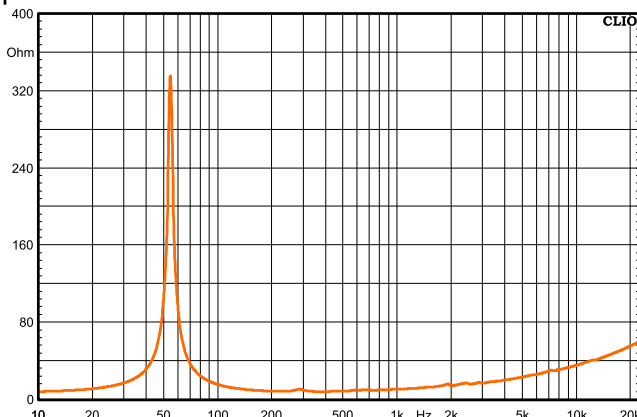
|                             |      |                     |
|-----------------------------|------|---------------------|
| Equivalent Volume           | Vas  | 48.16 l             |
| Excursion (mathematical)*** | Xmax | 6.15 mm             |
| Free Air Resonance          | Fs   | 54.48 Hz            |
| Mechanical Factor           | Qms  | 17.61               |
| Electrical Factor           | Qes  | 0.35                |
| Total Factor                | Qts  | 0.34                |
| Cone Area                   | Sd   | 573 cm <sup>2</sup> |
| Mechanical Mass             | Mms  | 81.11 g             |
| Bl Factor                   | Bl   | 22.77 Tm            |
| Dc Resistance               | Re   | 6.6 Ohm             |
| Inductance                  | Le   | 0.69 mH at 1 kHz    |
| Mechanical Mass Without Air | Mmd  | 73.35 g             |
| Mechanical Compliance       | Cms  | 0.105 mm/N          |



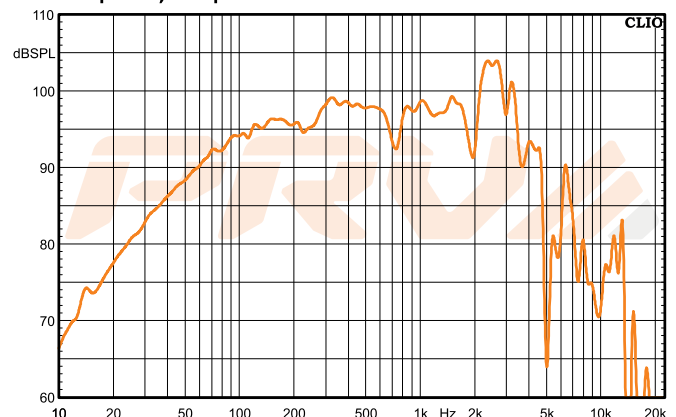
## EXTRA INFO

|                             |   |
|-----------------------------|---|
| Overall Diameter            | 12.32" (313 mm)                             |
| Front Mount Baffle Cutout   | 11.12" (282.5 mm)                           |
| Mounting Depth              | 5.51" (140 mm)                              |
| Overall Depth               | 5.94" (151 mm)                              |
| Net Weight                  | 13.93 Lb (6.32 kg)                          |
| Shipping Weight             | 15.40 Lb (6.99 kg)                          |
| Carton Dimensions W x L x H | 14.75" x 14.75" x 8.5" (375 x 375 x 216 mm) |

Impedance Curve - Free Air



Frequency Response Measured at 2.83V/1m



\*\*\*Xmax=(Voice coil winding depth-Magnetic Gap depth)/2+ Magnetic Gap Depth/4

PRVA AUDIO USA (USA and Export)  
POMPANO BEACH, FL  
support@prvaudio.com  
www.prvaudio.com