

6MB550FT-4

Professional Mid Bass Driver



KEY FEATURES

- 275 Watts nominal power handling
- 94 dB Sensitivity
- 85 - 7,500 Hz of frequency response



GENERAL SPECIFICATIONS

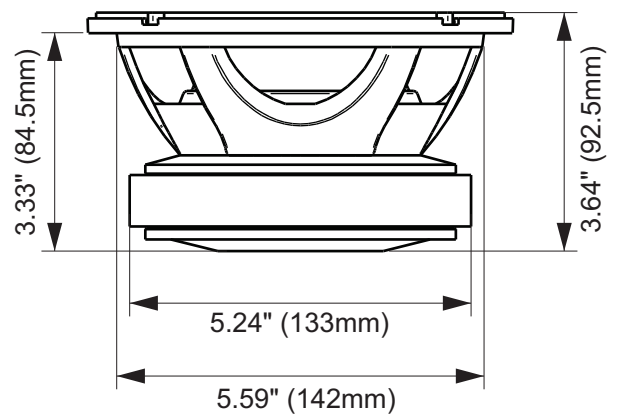
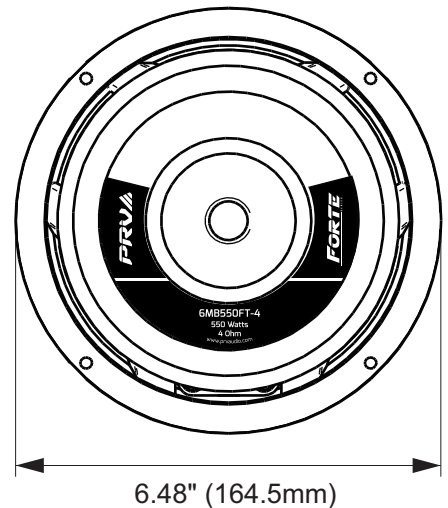
Nominal Diameter	6" (152 mm)
Nominal impedance	4 Ohm
Nominal Power Handling	275 Watts
Continuous Program Power (RMS)	550 Watts
Max Peak Power	1100 Watts
Sensitivity 2.00V at 1m	94 dB
Recommended Hi Pass Crossover*	95 Hz*
<small>*For Full Power Handling</small>	<small>*12db Per Octave Crossover</small>
Frequency Response	85 - 7,500 Hz
Voice Coil Diameter	2" (51 mm)
Voice Coil Wire	CCAW
Voice Coil Winding Depth	14.8 mm
Former Material	Kapton
Magnetic Gap Depth	8.0 mm
Frame Material	Die cast Aluminum

THIELE-SMALL PARAMETERS

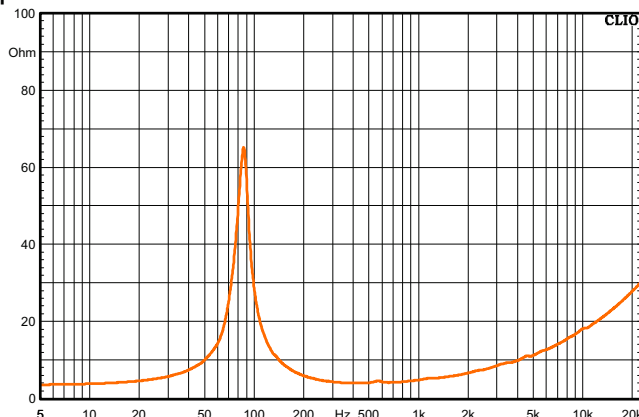
Equivalent Volume	Vas	6.59 l
Excursion	Xmax	5.40 mm
Free Air Resonance	Fs	86.27 Hz
Mechanical Factor	Qms	6.65
Electrical Factor	Qes	0.35
Total Factor	Qts	0.34
Cone Area	Sd	143 cm ²
Mechanical Mass	Mms	14.78 g
Bl Factor	Bl	8.63 Tm
Dc Resistance	Re	3.3 Ohm
Inductance	Le	0.30mH at 1kHz
Mechanical Mass Without Air	Mmd	13.81 g
Mechanical Compliance	Cms	0.230 mm/N

EXTRA INFO

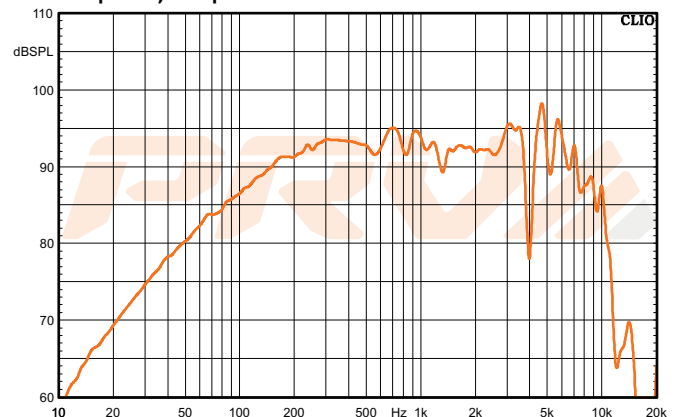
Overall Diameter	6.48" (164.5 mm)
Front Mount Baffle Cutout	5.59" (142 mm)
Mounting Depth	3.33" (84.5 mm)
Overall Depth	3.64 (92.5 mm)
Net Weight	5.95 Lbs (2.70 kg)
Shipping Weight	6.28 Lbs (2.85 kg)
Carton Dimensions W x L x H	7.09" x 7.09" x 4.92". (180 x 180 x 125 mm)



Impedance Curve - Free Air



Frequency Response Measured at 2.00V/1m



**Xmax=(Voice coil winding depth-Magnetic Gap depth)/2+ Magnetic Gap Depth/4

*** T-S parameters measured after 2 hours at 1/2 Rated power, pink noise preconditioning test

PRV AUDIO USA (USA and Export) PRV AUDIO BRAZIL (Brazilian Sales Only)
 POMPANO BEACH, FL SAO LEOPOLDO, RS
 support@prvaudio.com vendas@pvaudio.com.br
 www.prvaudio.com www.pvaudio.com.br