

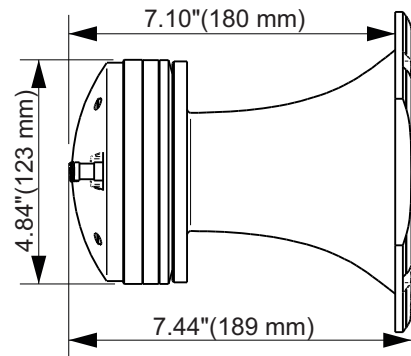
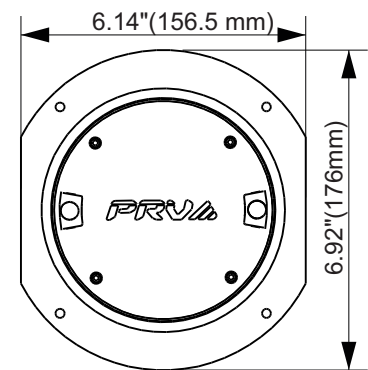
WG3220Ph-Nd

Professional Compression Driver



KEY FEATURES

- 3" Voice coil and 2" exit
- 110 Watts continuous power handling
- 109 dB Sensitivity
- Lightweight Neodymium Magnet
- WG14-50CR Aluminum waveguide



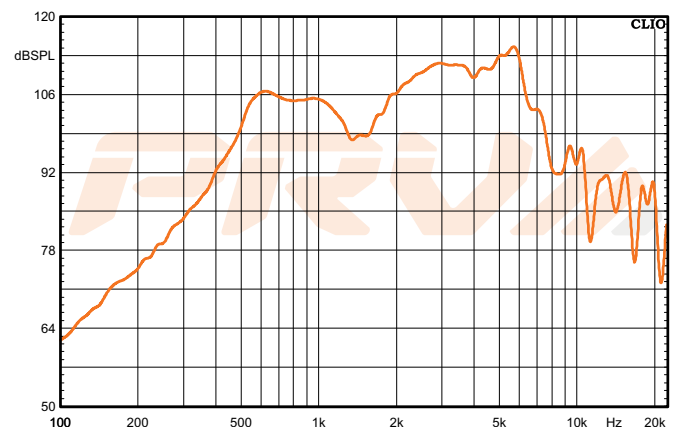
GENERAL SPECIFICATIONS

Exit Throat Diameter	2" (50 mm)
Nominal Impedance	8 Ohm
Rated Power Handling	110 Watts
Program Power	220Watts
Sensitivity 2.83V at 1m*	109 dB
Recommended High Pass Crossover**	800 Hz***
for Full Power Handling	*12 db/oct Crossover
Frequency Response at -10dB	600-7,500Hz
Voice Coil Diameter	3"(76.2 mm)
Voice Coil Wire	Copper
Voice Coil Former Material	Kapton®
Diaphragm Material	Phenolic Resin
Flux Density	1.80 T
Magnet Material	Neodimium

EXTRA INFO

Overall Depth	7.44" (189 mm)
Mounting Depth	7.10" (180 mm)
Overall Width	6.14" (156.5 mm)
Overall Height	6.92" (176 mm)
Baffle Cutout	5.35" (136 mm)
Net Weight	6.40lbs (2.90 kg)
Shipping Weight	6.72 lbs (3.05 kg)
Carton Dimensions W x L x H	10.2" x 9.5" x 7.5" (260 x 240 x 190 mm)

Frequency Response Measured at 2.83v/1m



*Frequency Response Measured on WG14-50CR

PRVA AUDIO USA (USA and Export)
FORT LAUDERDALE, FL
support@prvaudio.com
www.prvaudio.com