

18SW3600

Professional Low Frequency Driver



KEY FEATURES

- 4.5" Voice coil
- 3600 Watts continuous program power
- 97 dB Sensitivity
- 35 - 1300 Hz



GENERAL SPECIFICATIONS

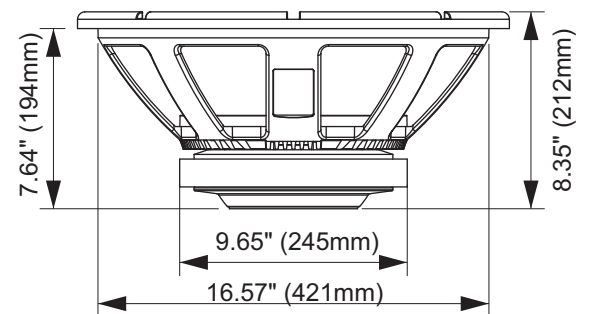
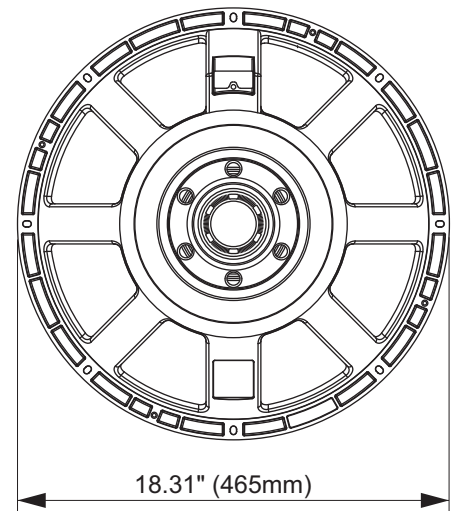
Nominal Diameter	18" (457 mm)
Nominal impedance	8 Ohm
Nominal Power Handling	1800 Watts
Continuous Program Power (RMS)	3600 Watts
Max Peak Power	7200 Watts
Sensitivity 2.83V at 1m	97 dB
Recommended Hi Pass Crossover*	45 Hz*
<small>*For Full Power Handling</small>	<small>*12db Per Octave Crossover</small>
Frequency Response	35 - 1,300 Hz
Voice Coil Diameter	4.5" (114 mm)
Voice Coil Wire	Copper
Voice Coil Winding Depth	34.0 mm
Former Material	Glass Fiber
Magnetic Gap Depth	15 mm
Frame Material	Die cast Aluminum

THIELE-SMALL PARAMETERS

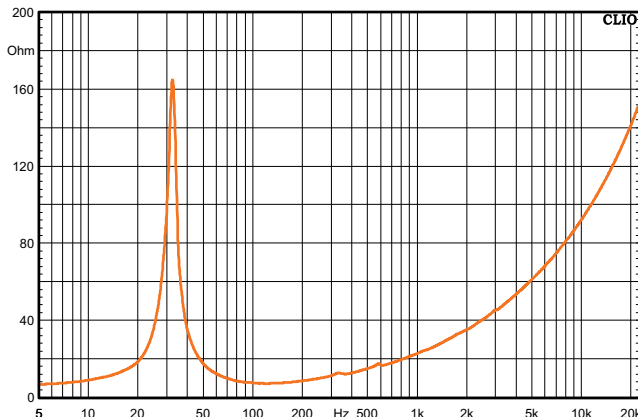
Equivalent Volume	Vas	279.7 l
Excursion (mathematical)***	Xmax	13.25 mm
Free Air Resonance	Fs	32.5Hz
Mechanical Factor	Qms	10.72
Electrical Factor	Qes	0.38
Total Factor	Qts	0.36
Cone Area	Sd	1340 cm ²
Mechanical Mass	Mms	215.1 g
Bl Factor	BL	25.53 Tm
Dc Resistance	Re	5.6 Ohm
Inductance	Le	2.75 mH at 1 kHz
Mechanical Mass Without Air	Mmd	187.3 g
Mechanical Compliance	Cms	0.112 mm/N

EXTRA INFO

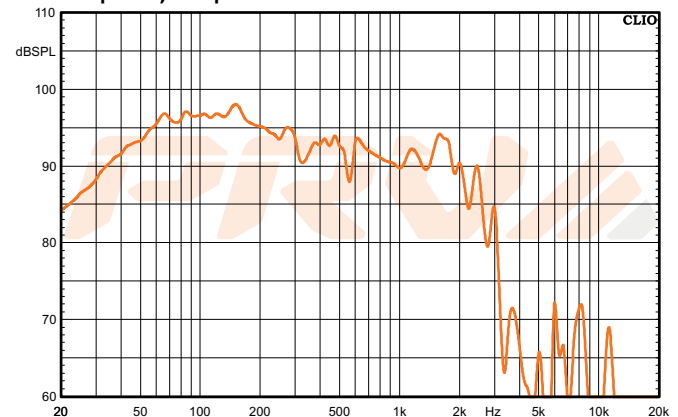
Overall Diameter	18.31" (465 mm)
Front Mount Baffle Cutout	16.57" (421 mm)
Mounting Depth	7.64" (194 mm)
Overall Depth	8.35" (212 mm)
Net Weight	31.96 Lbs (14.5 kg)
Shipping Weight	35.27 Lbs (16 kg)
Carton Dimensions W x L x H	19.49" x 19.49" x 10.23" (495 x 495 x 260 mm)



Impedance Curve - Free Air



Frequency Response Measured at 2.83V/1m



**Xmax=(Voice coil winding depth-Magnetic Gap depth)/2+ Magnetic Gap Depth/4
 *** T-S parameters measured after 2 hours at 1/2 Rated power, pink noise preconditioning test