

WGP22-50

Professional Audio Waveguide



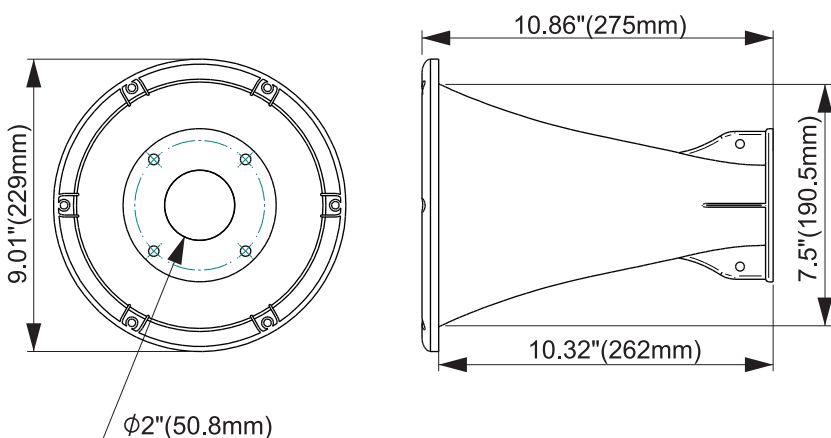
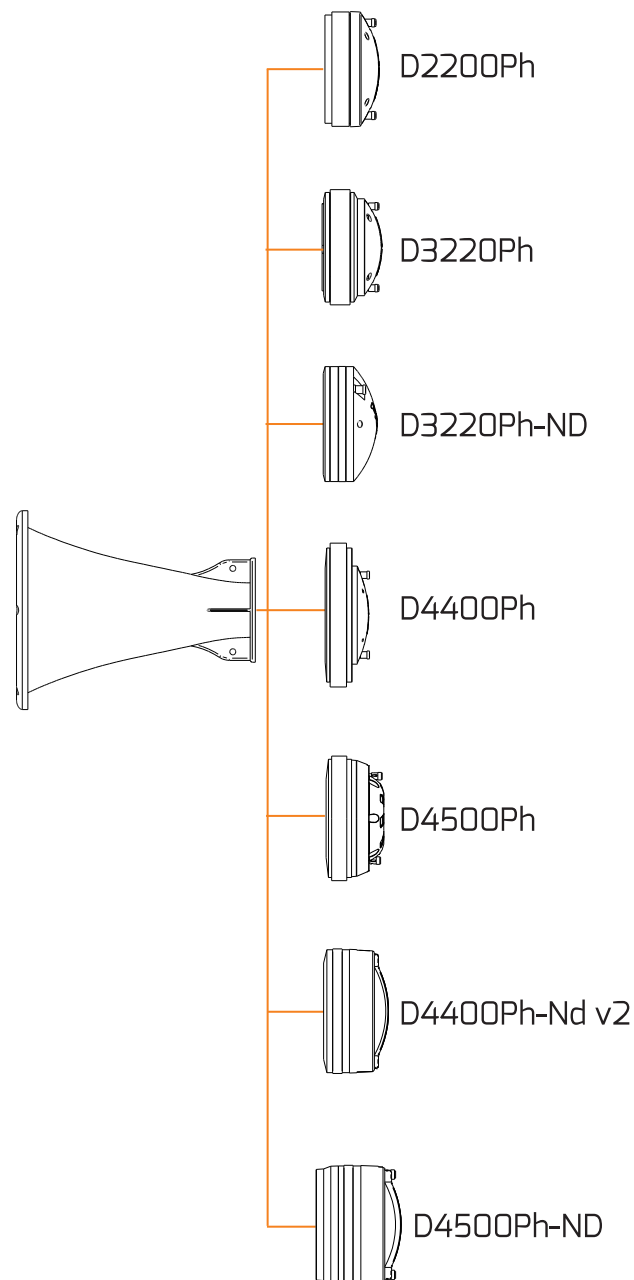
KEY FEATURES

- 2" Throat
- Bolt-on
- Finish / Coating: Black and White
- 30°x 30° Nominal Coverage



GENERAL SPECIFICATIONS

Throat Diameter	2" (50.8mm)
Mounting Type	Bolt On
Hole dimensions	ϕ 0.33" ϕ 8.3 mm
Bolt circle	4" 101.6mm
Nominal Coverage	
Horizontal	30°
Vertical	30°
Flare type	Exponential
Material	Plastic (ABS)
Finish / Coating	Black; Chrome; Gold; White
Dimensions	
Height	9.01" (229mm)
Width	9.01" (229mm)
Depth	10.86" (275mm)
Mount Depth	10.32" (262mm)
Baffle Cutout	
Diameter	7.5" (190.5mm)
Net weight	1.25lb (0.57 kg)



PRV AUDIO USA (USA and Export) PRV AUDIO BRAZIL (Brazilian Sales Only)
FORT LAUDERDALE, FL SAO LEOPOLDO, RS
support@prvaudio.com vendas@pvaudio.com.br
www.prvaudio.com www.pvaudio.com.br