

10MR800 PRO

Professional Mid Range Driver



KEY FEATURES

- 3" Voice coil
- 800 Watts continuous program power
- 98.5 dB Sensitivity
- 100 - 6,500 Hz



GENERAL SPECIFICATIONS

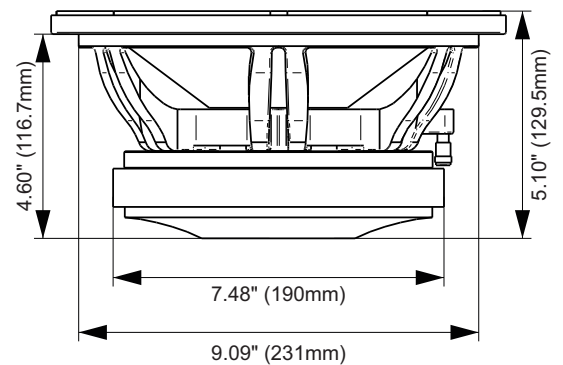
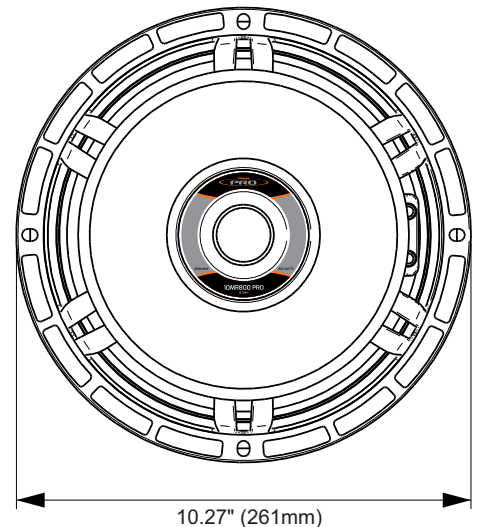
Nominal Diameter	10" (254 mm)
Nominal impedance	8 Ohm
Nominal Power Handling	400 Watts
Continuous Program Power (RMS)	800 Watts
Max Peak Power	1600 Watts
Sensitivity 2.83V at 1m	98.5 dB
Recommended Hi Pass Crossover*	145 Hz*
<small>*For Full Power Handling</small>	<small>*12db Per Octave Crossover</small>
Frequency Response	100 - 6,500 Hz
Voice Coil Diameter	3" (75 mm)
Voice Coil Wire	CCAW
Voice Coil Winding Depth	10.0 mm
Former Material	Glass fiber
Magnetic Gap Depth	10 mm
Frame Material	Die cast Aluminum

THIELE-SMALL PARAMETERS

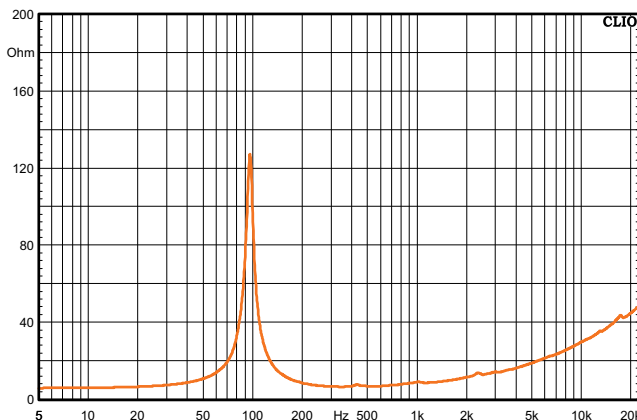
Equivalent Volume	Vas	13.1 l
Excursion (mathematical)***	Xmax	2.50 mm
Free Air Resonance	Fs	96.4 Hz
Mechanical Factor	Qms	11.30
Electrical Factor	Qes	0.52
Total Factor	Qts	0.50
Cone Area	Sd	346 cm ²
Mechanical Mass	Mms	34.9 g
Bl Factor	Bl	15.08 Tm
Dc Resistance	Re	5.6 Ohm
Inductance	Le	0.56 mH at 1 kHz
Mechanical Mass Without Air	Mmd	31.26 g
Mechanical Compliance	Cms	0.078 mm/N

EXTRA INFO

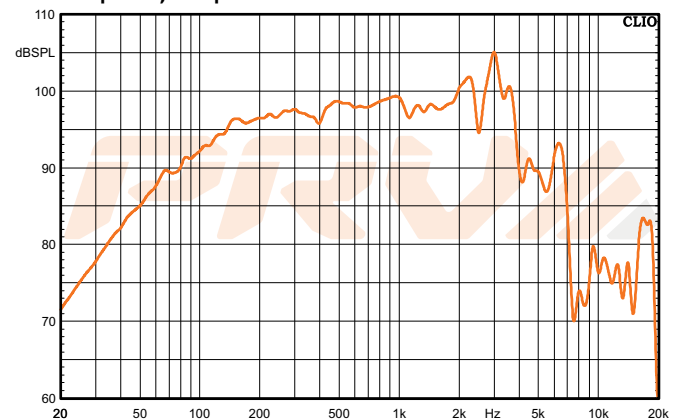
Overall Diameter	10.27" (261 mm)
Front Mount Baffle Cutout	9.09" (231 mm)
Mounting Depth	4.60" (116.7 mm)
Overall Depth	5.10" (129.5 mm)
Net Weight	15.65 Lbs (7.10 kg)
Shipping Weight	16.80 Lbs (7.62 kg)
Carton Dimensions W x L x H	11.42" x 11.42" x 5.9" (290 x 290 x 150 mm)



Impedance Curve - Free Air



Frequency Response Measured at 2.83V/1m



**Xmax=(Voice coil winding depth-Magnetic Gap depth)/2+ Magnetic Gap Depth/4
 *** T-S parameters measured after 2 hours at 1/2 Rated power, pink noise preconditioning test

PRV AUDIO USA (USA and Export)
 POMPANO BEACH, FL
 support@prvaudio.com
 www.prvaudio.com