

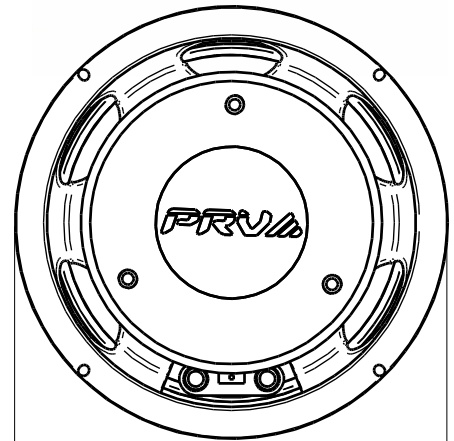
# 6CX380-4 SLIM

Professional Coaxial Driver

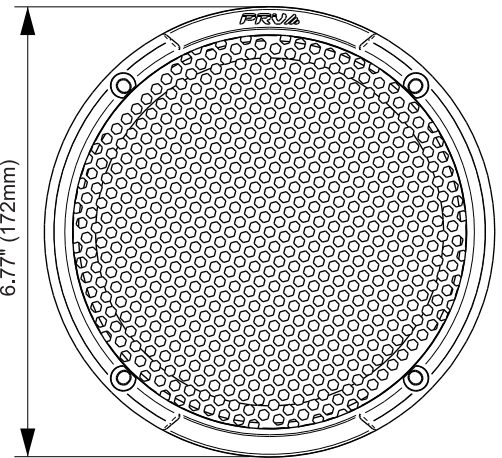
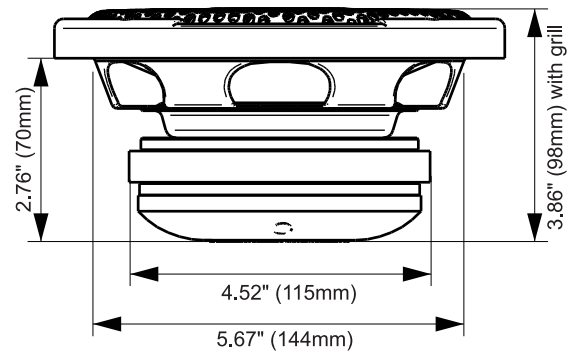


## KEY FEATURES

- 1.5" / 1" Voice Coils
- 380 Watts Continuous Program Power
- 96 dB Sensitivity
- 100 - 20,000 Hz



6.50" (165mm)



GENERAL SPECIFICATIONS

	Low Freq.	High Freq.
Nominal and Throat Diameter	6.5" (152mm)	1" (25.4mm)
Nominal impedance	4 Ohm	
<b>Nominal Power Handling</b>	<b>190 Watts</b>	
Continuous Program Power (RMS)	380 Watts	
Max Peak Power	760 Watts	
<b>Sensitivity 2.00V at 1m</b>	<b>96 dB</b>	
Recommended Hi Pass Crossover*	120 Hz	
<small>*For Full Power Handling</small>	<small>*12db/oct Crossover</small>	
<b>Frequency Response</b>	<b>100 - 20,000Hz</b>	
Voice Coil Diameter	1.5" (38 mm)	1.0" (25mm)
Voice Coil Wire	Copper	CCAW
Voice Coil Winding Depth	8.0 mm	N/A
Former Material	Kapton	Kapton
Magnetic Gap Depth	5.0 mm	N/A
Frame and Diaphragm Material	S. Steel	Mylar

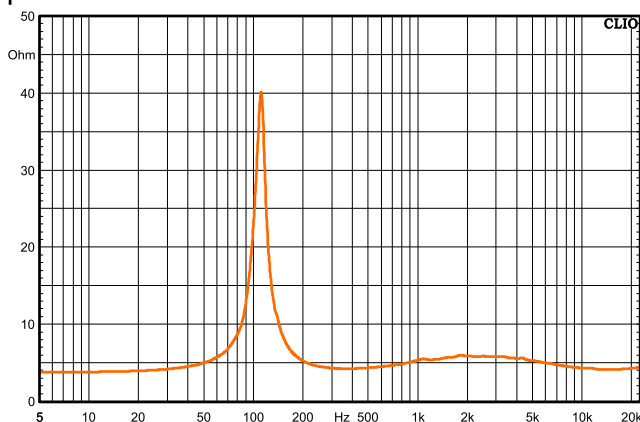
THIELE-SMALL PARAMETERS

Equivalent Volume	Vas	6.61 l
Excursion (mathematical)***	Xmax	2.75 mm
Free Air Resonance	Fs	111.7 Hz
Mechanical Factor	Qms	8.6
Electrical Factor	Qes	0.84
Total Factor	Qts	0.77
Cone Area	Sd	143 cm <sup>2</sup>
Mechanical Mass	Mms	8.77 g
Bl Factor	BL	5.11 Tm
Dc Resistance	Re	3.6 Ohm
Inductance	Le	0.113 mH at 1 kHz
Mechanical Mass Without Air	Mmd	7.80 g
Mechanical Compliance	Cms	0.231 mm/N

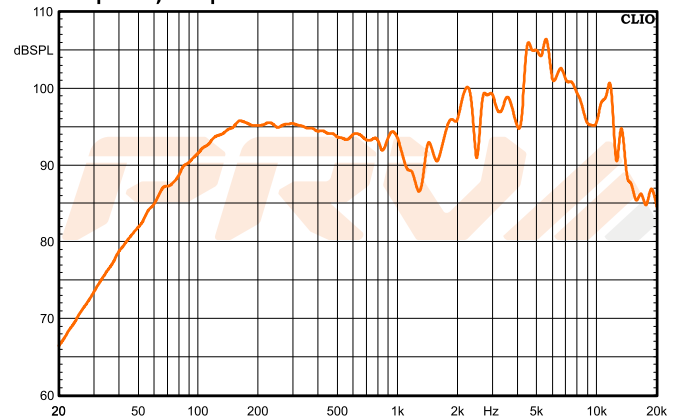
EXTRA INFO

Overall Diameter	6.50" (165 mm)
Front Mount Baffle Cutout	5.67" (144 mm)
Mounting Depth	2.76" (70 mm)
Overall Depth (with grill)	3.86" (98 mm)
Net Weight	3.85 Lbs (1.75 kg)
Shipping Weight	4.30 Lbs (1.95 kg)
Carton Dimensions W x L x H	7.28" x 7.48" x 4.92" (185 x 190 x 125mm)

Impedance Curve - Free Air



Frequency Response Measured at 2.00V/1m



\*\*Xmax=(Voice coil winding depth-Magnetic Gap depth)/2+ Magnetic Gap Depth/4  
 \*\*\* T-S parameters measured after 2 hours at 1/2 Rated power, pink noise preconditioning test

PRVA AUDIO USA (USA and Export)  
 POMPANO BEACH, FL  
 support@prvaudio.com  
 www.prvaudio.com