

WGP22-50PR

Professional Audio Waveguide



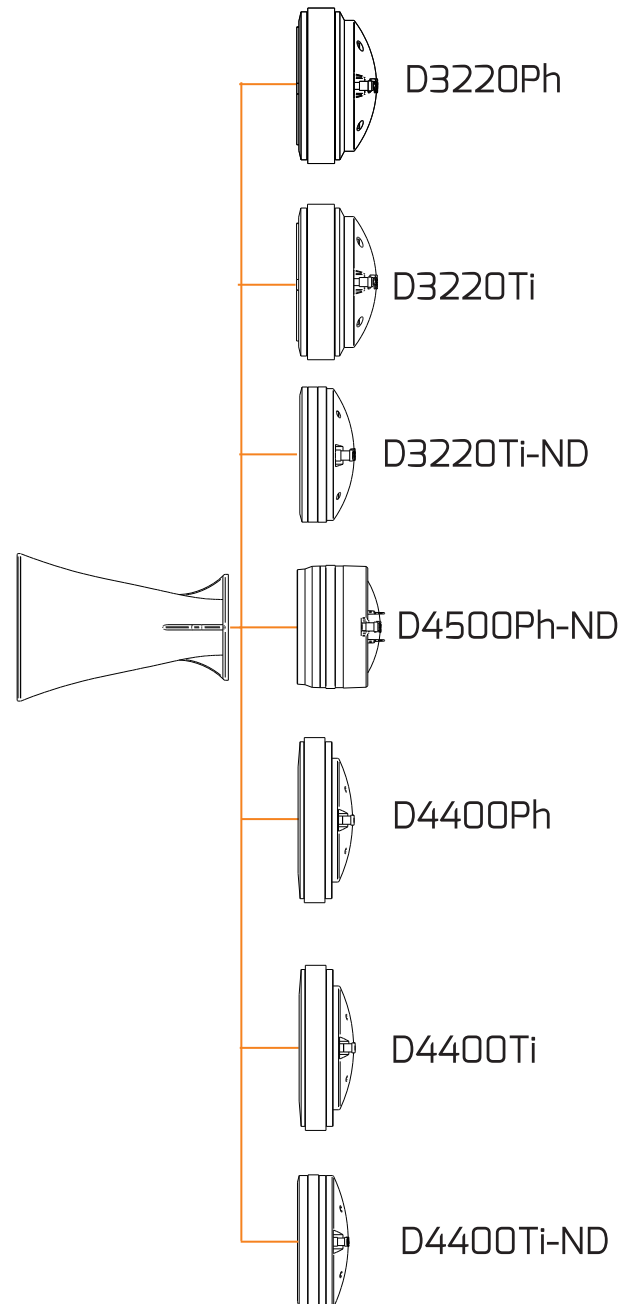
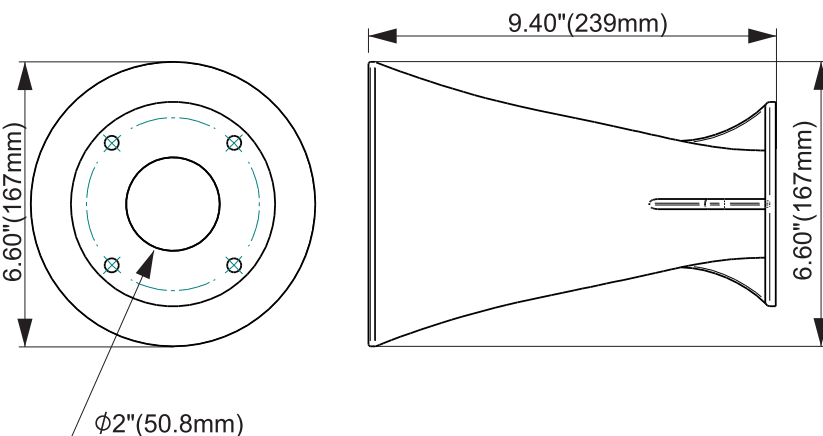
KEY FEATURES

- 2" Throat
- Bolt-on
- White
- 60°x 60° Nominal Coverage



GENERAL SPECIFICATIONS

Throat Diameter	2" (50.8mm)
Mounting Type	Bolt-On
Hole dimensions	Ø 0.33" Ø 8.3 mm
Bolt circle	4" 101.6mm
Nominal Coverage	
Horizontal	60°
Vertical	60°
Flare type	Exponential
Material	Plastic (ABS)
Finish / Coating	White Color
Dimensions	
Height	6.60" (167 mm)
Width	6.60" (167 mm)
Depth	9.40" (239mm)
Mount Depth	9.40" (239 mm)
Baffle Cutout	
Diameter	6.60" (167 mm)
Net weight	0.88lb (0.40 kg)



PRV AUDIO USA (USA and Export)
FORT LAUDERDALE, FL
support@prvaudio.com
www.prvaudio.com