

10MR650A-4

Professional Mid Range Driver



KEY FEATURES

- 2.5" Voice coil
- 650 Watts continuous program power
- 97.5 dB Sensitivity
- 80-6,500 Hz



GENERAL SPECIFICATIONS

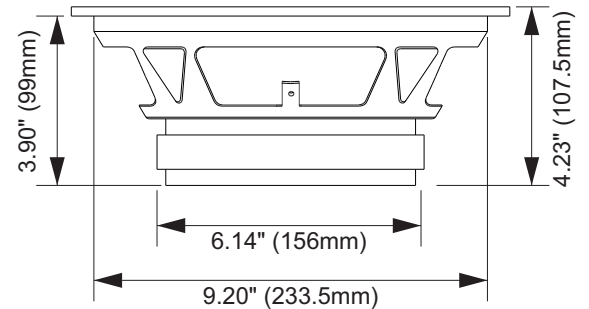
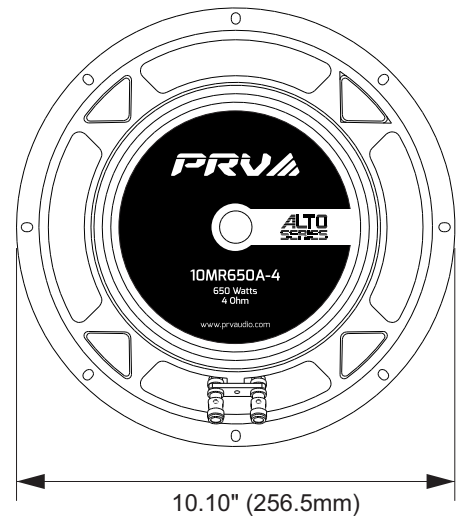
Nominal Diameter	10" (254 mm)
Nominal impedance	4 Ohm
Nominal Power Handling	325 Watts
Continuous Program Power (RMS)	650 Watts
Max Peak Power	1300 Watts
Sensitivity 2.00V at 1m	97.5 dB
Recommended Hi Pass Crossover*	140 Hz*
<small>*For Full Power Handling</small>	<small>*12db Per Octave Crossover</small>
Frequency Response	80 - 6,500 Hz
Voice Coil Diameter	2.5" (68 mm)
Voice Coil Wire	CCAW
Voice Coil Winding Depth	15.2 mm
Former Material	Polyimide
Magnetic Gap Depth	9.5 mm
Frame Material	Stamped Steel

THIELE-SMALL PARAMETERS

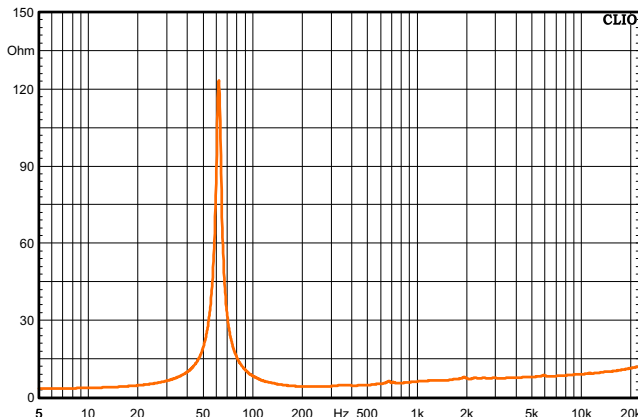
Equivalent Volume	Vas	44.0 l
Excursion (mathematical)***	Xmax	5.22 mm
Free Air Resonance	Fs	62.1 Hz
Mechanical Factor	Qms	15.58
Electrical Factor	Qes	0.40
Total Factor	Qts	0.39
Cone Area	Sd	398 cm ²
Mechanical Mass	Mms	32.94 g
Bl Factor	Bl	9.96 Tm
Dc Resistance	Re	3.1 Ohm
Inductance	Le	0.28 mH at 1 kHz
Mechanical Mass Without Air	Mmd	28.46 g
Mechanical Compliance	Cms	0.199 mm/N

EXTRA INFO

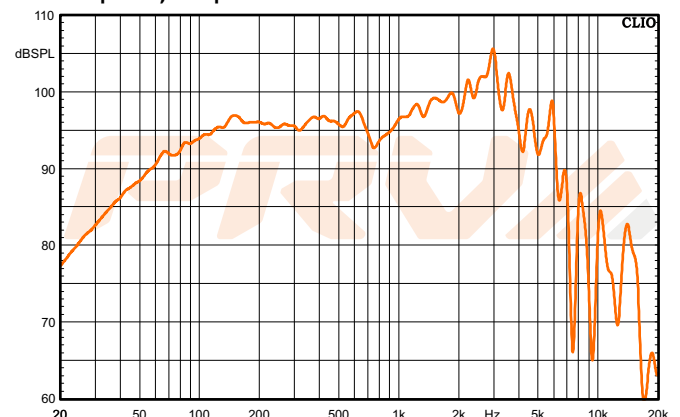
Overall Diameter	10.10" (256.5 mm)
Front Mount Baffle Cutout	9.20" (233.5 mm)
Mounting Depth	3.90" (99 mm)
Overall Depth	4.23" (107.5 mm)
Net Weight	10.4 Lbs (4.7 kg)
Shipping Weight	11.9 Lbs (5.4 kg)
Carton Dimensions W x L x H	11.81" x 11.81" x 5.71" (300 x 300 x 145 mm)



Impedance Curve - Free Air



Frequency Response Measured at 2.00V/1m



**Xmax=(Voice coil winding depth-Magnetic Gap depth)/2+ Magnetic Gap Depth/4
 *** T-S parameters measured after 2 hours at 1/2 Rated power, pink noise preconditioning test

PRV AUDIO USA (USA and Export)
 POMPANO BEACH, FL
 support@prvaudio.com
 www.prvaudio.com