

10MR650A

Professional Mid Range Driver



KEY FEATURES

- 2.5" Voice coil
- 650 Watts continuous program power
- 97.5 dB Sensitivity
- 80-6,500 Hz



GENERAL SPECIFICATIONS

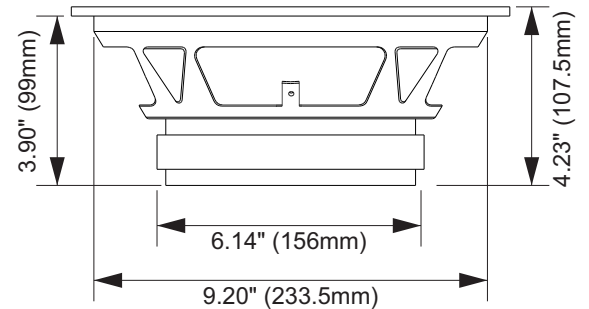
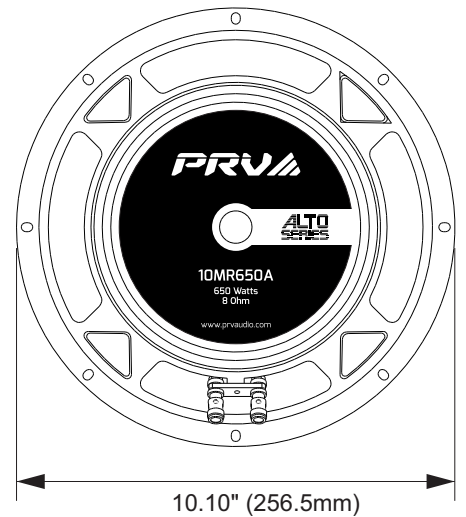
Nominal Diameter	10" (254 mm)
Nominal impedance	8 Ohm
Nominal Power Handling	325 Watts
Continuous Program Power (RMS)	650 Watts
Max Peak Power	1300 Watts
Sensitivity 2.83V at 1m	97.5 dB
Recommended Hi Pass Crossover*	140 Hz*
<small>*For Full Power Handling</small>	<small>*12db Per Octave Crossover</small>
Frequency Response	80 - 6,500 Hz
Voice Coil Diameter	2.5" (68 mm)
Voice Coil Wire	CCAW
Voice Coil Winding Depth	16.2 mm
Former Material	Polyimide
Magnetic Gap Depth	9.5 mm
Frame Material	Stamped Steel

THIELE-SMALL PARAMETERS

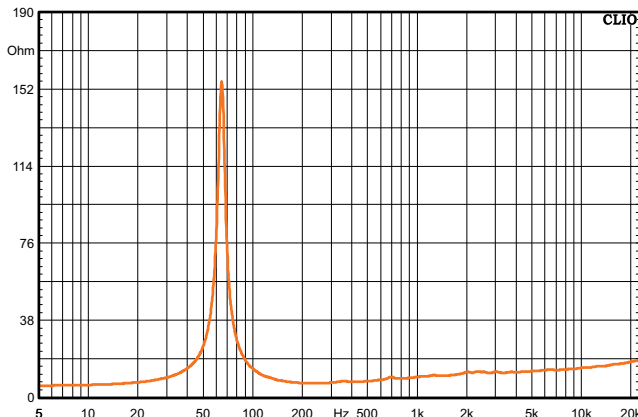
Equivalent Volume	Vas	41.9 l
Excursion (mathematical)***	Xmax	5.72 mm
Free Air Resonance	Fs	64.7 Hz
Mechanical Factor	Qms	14.19
Electrical Factor	Qes	0.48
Total Factor	Qts	0.47
Cone Area	Sd	398 cm ²
Mechanical Mass	Mms	31.86 g
Bl Factor	Bl	12.25 Tm
Dc Resistance	Re	5.6 Ohm
Inductance	Le	0.44 mH at 1 kHz
Mechanical Mass Without Air	Mmd	27.37 g
Mechanical Compliance	Cms	0.190 mm/N

EXTRA INFO

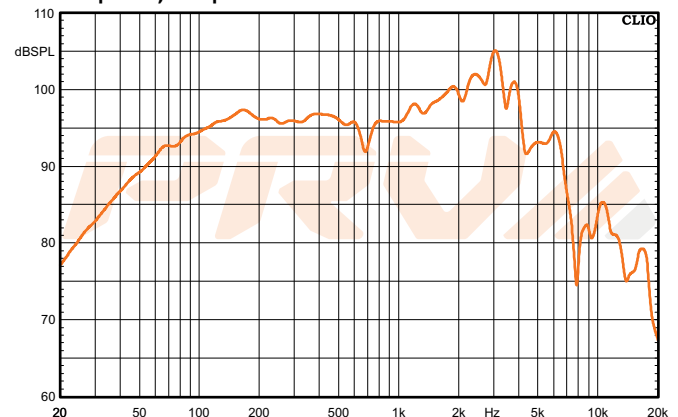
Overall Diameter	10.10" (256.5 mm)
Front Mount Baffle Cutout	9.20" (233.5 mm)
Mounting Depth	3.90" (99 mm)
Overall Depth	4.23" (107.5 mm)
Net Weight	10.4 Lbs (4.7 kg)
Shipping Weight	11.9 Lbs (5.4 kg)
Carton Dimensions W x L x H	11.81" x 11.81" x 5.71" (300 x 300 x 145 mm)



Impedance Curve - Free Air



Frequency Response Measured at 2.83V/1m



***Xmax=(Voice coil winding depth-Magnetic Gap depth)/2+ Magnetic Gap Depth/4

PRV AUDIO USA (USA and Export)
POMPANO BEACH, FL
support@prvaudio.com
www.prvaudio.com