

6MR200A-4

Professional Mid Range Driver



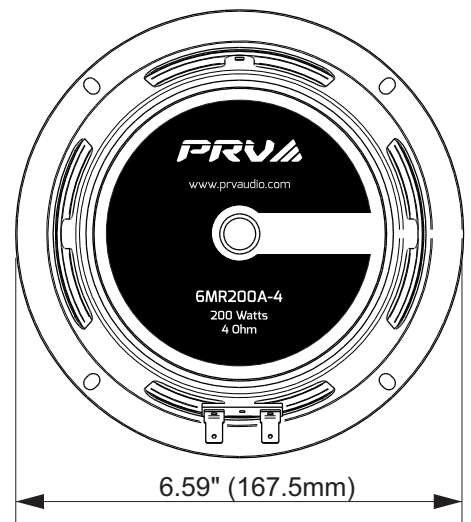
KEY FEATURES

- 1.5" Voice coil
- 200 Watts continuous program power
- 94 dB Sensitivity
- 155 - 11,000 Hz



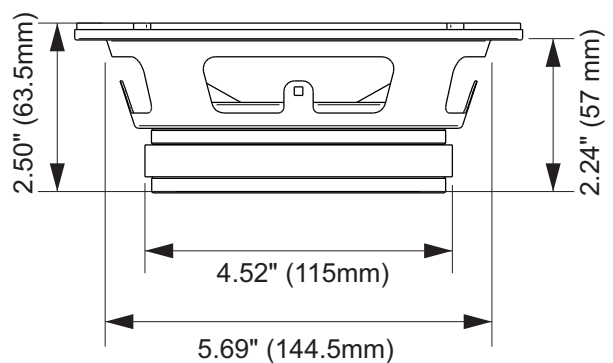
GENERAL SPECIFICATIONS

Nominal Diameter	6.5" (165 mm)
Nominal impedance	4 Ohm
Nominal Power Handling	100 Watts
Continuous Program Power (RMS)	200 Watts
Max Peak Power	400 Watts
Sensitivity 2.00V at 1m	94 dB
Recommended Hi Pass Crossover*	150 Hz*
<small>*For Full Power Handling</small>	<small>*12db Per Octave Crossover</small>
Frequency Response	155 - 11,000 Hz
Voice Coil Diameter	1.5 (38 mm)
Voice Coil Wire	Copper
Voice Coil Winding Depth	8.0 mm
Former Material	Kapton
Magnetic Gap Depth	5.5 mm
Frame Material	Stamped steel



THIELE-SMALL PARAMETERS

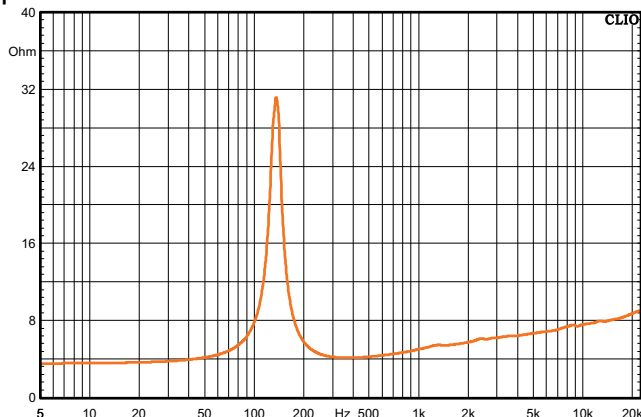
Equivalent Volume	Vas	3.89 l
Excursion	Xmax	2.62 mm
Free Air Resonance	Fs	138.3 Hz
Mechanical Factor	Qms	9.47
Electrical Factor	Qes	1.08
Total Factor	Qts	0.97
Cone Area	Sd	137 cm ²
Mechanical Mass	Mms	8.89 g
Bl Factor	BL	4.92 Tm
Dc Resistance	Re	3.4 Ohm
Inductance	Le	0.18mH at 1kHz
Mechanical Mass Without Air	Mmd	7.98g
Mechanical Compliance	Cms	0.149 mm/N



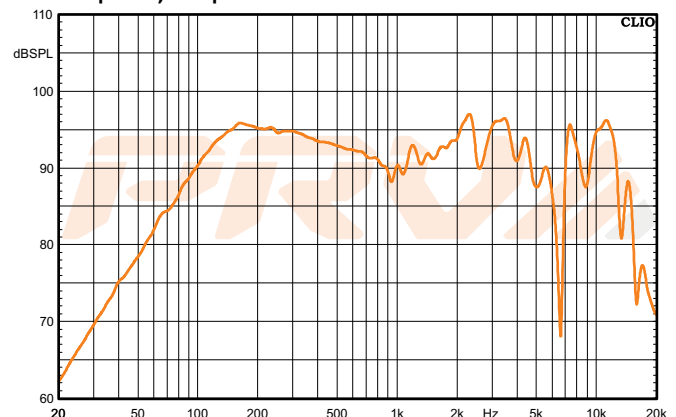
EXTRA INFO

Overall Diameter	6.59" (167.5 mm)
Front Mount Baffle Cutout	5.69" (144.5 mm)
Mounting Depth	2.24" (57 mm)
Overall Depth	2.50" (63.5 mm)
Net Weight	3.52 Lbs (1.60 kg)
Shipping Weight	3.79 Lbs (1.75 kg)
Carton Dimensions W x L x H	7.40" x 7.48" x 4.45". (188 x 190 x 113 mm)

Impedance Curve - Free Air



Frequency Response Measured at 2.00V/1m



PRV AUDIO USA (USA and Export)
POMPANO BEACH, FL
support@prvaudio.com
www.prvaudio.com

**Xmax=(Voice coil winding depth-Magnetic Gap depth)/2+ Magnetic Gap Depth/4