

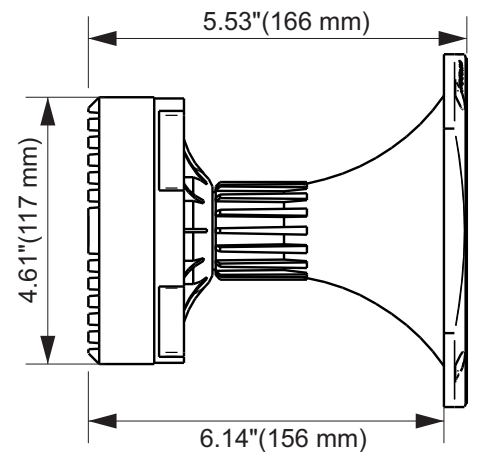
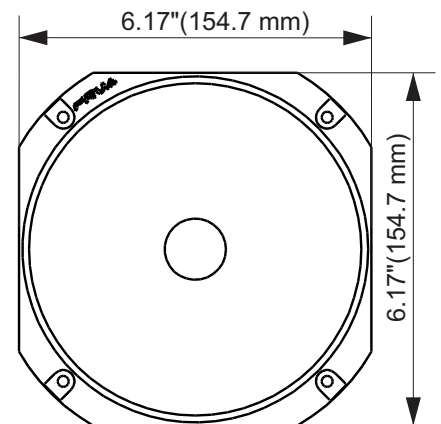
WGP275Ph

Professional Compression Driver



KEY FEATURES

- 1" Exit driver and waveguide combo
- 200 Watts continuous program power
- 106 dB Sensitivity
- Phenolic diaphragm
- 500 - 6,500 diaphragm



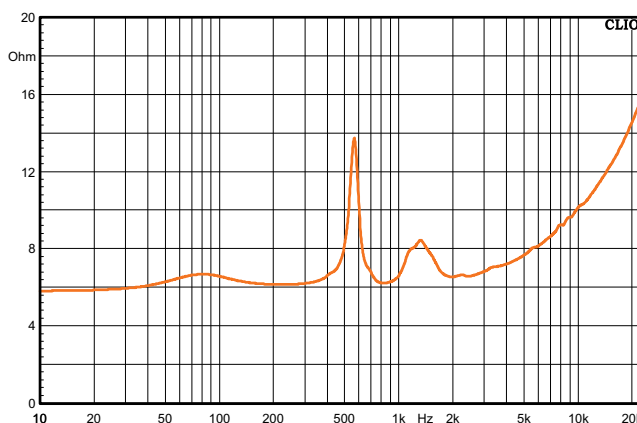
GENERAL SPECIFICATIONS

Exit Throat Diameter	1" (25.4 mm)
Nominal Impedance	8 Ohm
Nominal Power Handling	100 Watts
Continuous Program Power (RMS)	200 Watts
Peak Power	400 Watts
Sensitivity 2.83V at 1m*	106 dB
Recommended High Pass Crossover**	600 Hz***
for Full Power Handling	*12 db/oct Crossover
Frequency Response at -10dB	500 - 6,500Hz
Voice Coil Diameter	2" (51 mm)
Voice Coil Wire	Copper
Voice Coil Former Material	Kapton®
Diaphragm Material	Phenolic Resin
Flux Density	1.1 T
Magnet Material	Ferrite

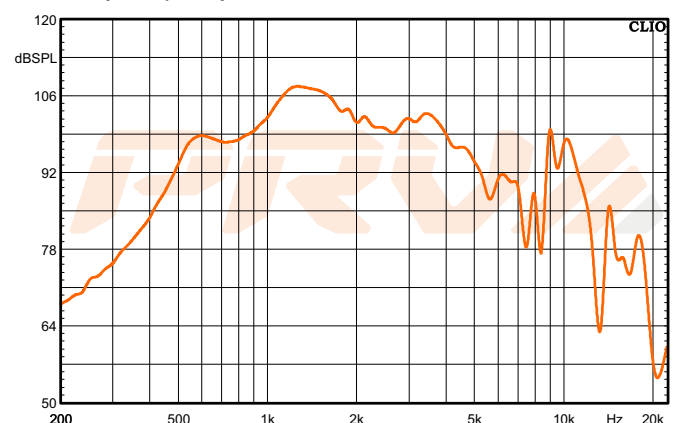
EXTRA INFO

Overall Depth	6.53" (166 mm)
Mounting Depth	6.14" (156 mm)
Overall Width	6.17" (154.7 mm)
Overall Height	6.17" (154.7 mm)
Net Weight	2.24 lbs (1.02 kg)
Shipping Weight	2.49 lbs (1.13 kg)
Carton Dimensions W x L x H	6.16" x 6.16" x 6.16" (156.5 x 156.5 x 175mm)

Impedance Curve - Free Air



Frequency Response Measured at 2.83V/1m



PRV AUDIO USA (USA and Export)
POMPANO BEACH, FL
support@prvaudio.com
www.prvaudio.com