

69CX380-4

Professional Coaxial Driver



KEY FEATURES

- 1.5" / 1" Voice coil
- 380 Watts Continuous Program Power
- 97 dB Sensitivity
- 190 - 20,000 Hz



GENERAL SPECIFICATIONS

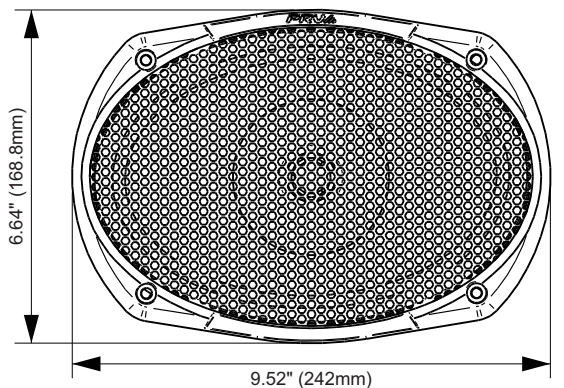
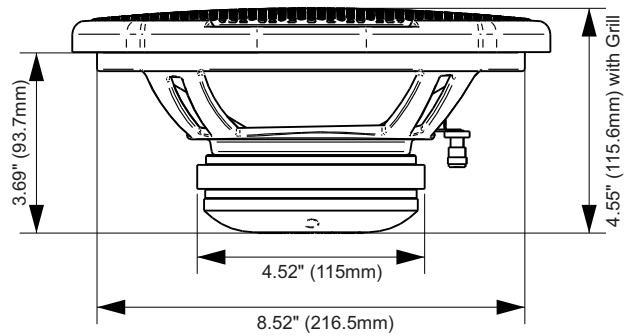
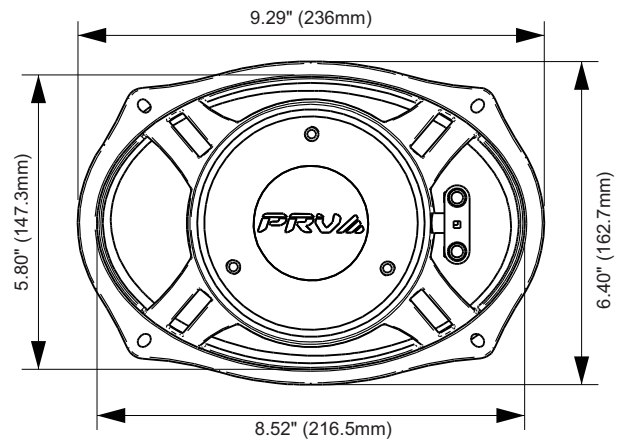
Nominal and Throat Diameter	Low Freq. 6x9" (152x228mm)	High Freq. 1"(25.4mm)
Nominal impedance	4 Ohm	
Nominal Power Handling	190 Watts	
Continuous Program Power (RMS)	380 Watts	
Max Peak Power	760 Watts	
Sensitivity 2.00V at 1m	97 dB	
Recommended Hi Pass Crossover*	110 Hz <small>*12db/oct Crossover</small>	
Frequency Response	90 - 20,000Hz	
Voice Coil Diameter	1.5"(38 mm)	1.0"(25mm)
Voice Coil Wire	Copper	CCAW
Voice Coil Winding Depth	8.0 mm	N/A
Former Material	Kapton	Kapton
Magnetic Gap Depth	5.0 mm	N/A
Frame and Diaphragm Material	S. Steel	Mylar

THIELE-SMALL PARAMETERS

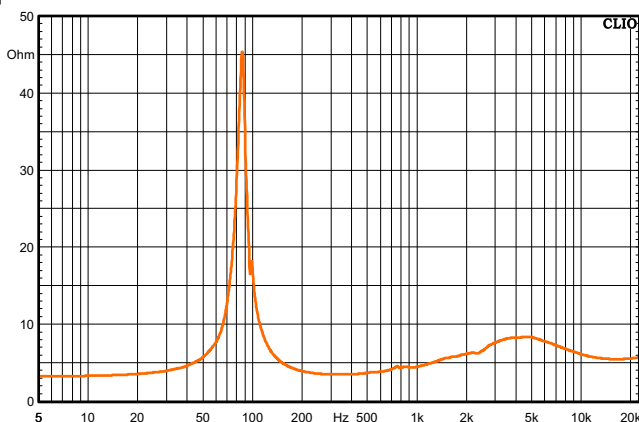
Equivalent Volume	Vas	25.32 l
Excursion (mathematical)***	Xmax	2.75 mm
Free Air Resonance	Fs	86.6 Hz
Mechanical Factor	Qms	9.26
Electrical Factor	Qes	0.68
Total Factor	Qts	0.63
Cone Area	Sd	240 cm ²
Mechanical Mass	Mms	10.74 g
Bl Factor	Bl	5.17 Tm
Dc Resistance	Re	3.1 Ohm
Inductance	Le	0.22 mH at 1 kHz
Mechanical Mass Without Air	Mmd	8.63 g
Mechanical Compliance	Cms	0.314 mm/N

EXTRA INFO

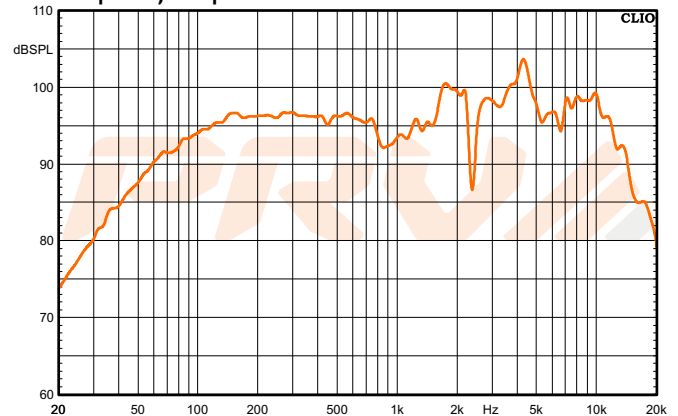
Overall Speaker Size	9.29"x6.40" (236x162.7 mm)
Front Mount Baffle Cutout	8.52"x5.80" (216.5x147.3 mm)
Mounting Depth	3.69" (93.7 mm)
Overall Depth	4.55" (115.6 mm) (with grill)
Net Weight	4.07 Lbs (1.85 kg)
Shipping Weight	4.62 Lbs (2.10 kg)
Carton Dimensions W x L x H	10.11"x 7.36" x 5.70" (257 x 187 x 145mm)



Impedance Curve - Free Air



Frequency Response Measured at 2.00V/1m



***Xmax=(Voice coil winding depth-Magnetic Gap depth)/2+ Magnetic Gap Depth/4

PRVA AUDIO USA (USA and Export)
POMPANO BEACH, FL
support@prvaudio.com
www.prvaudio.com