

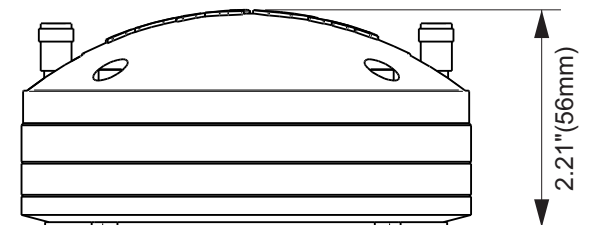
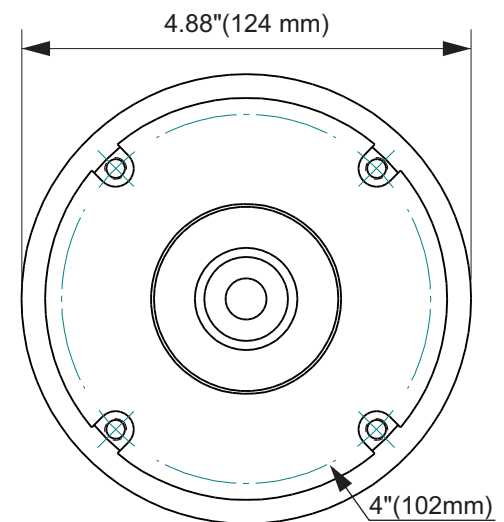
D3220Ti-Nd

Professional Compression Driver



KEY FEATURES

- 3" Voice coil and 2" exit
- 300 Watts continuous program power
- 110 dB Sensitivity
- High-grade Titanium diaphragm
- Light-weight Neodymium magnet



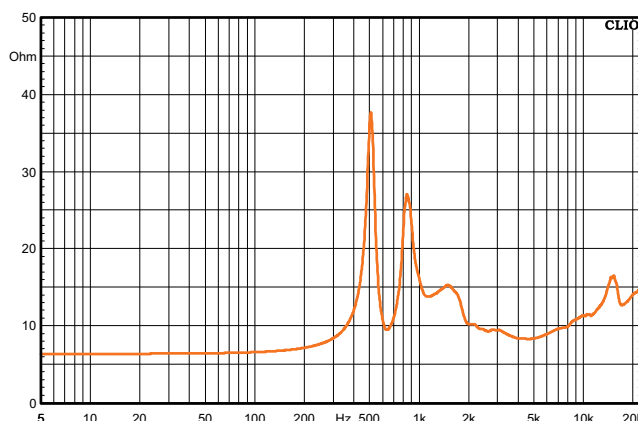
GENERAL SPECIFICATIONS

Exit Throat Diameter	2" (50 mm)
Nominal Impedance	8 Ohm
Nominal Power Handling	150 Watts
Continuous Program Power (RMS)	300 Watts
Peak Power	600 Watts
Sensitivity 2.83V at 1m*	110 dB
Recommended High Pass Crossover**	1400 Hz***
for Full Power Handling	*12 db/oct Crossover
Frequency Response at -10dB	1,200-19,000Hz
Voice Coil Diameter	3" (76.2 mm)
Voice Coil Wire	CCAW
Voice Coil Former Material	Kapton®
Diaphragm Material	Titanium
Flux Density	1.80 T
Magnet Material	Neodymium

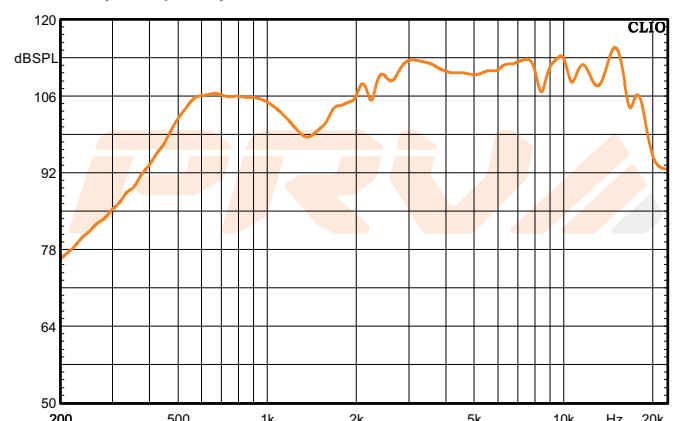
EXTRA INFO

Overall Diameter	4.88" (124 mm)
Overall Depth	2.21" (56 mm)
Mounting Bolt Circle	M6 x 4" (102 mm)
Net Weight	5.0 lbs (2.27 kg)
Shipping Weight	5.27 lbs (2.39 kg)
Carton Dimensions W x L x H	5.71" x 5.71" x 3.35" (145 x 145 x 85 mm)

Impedance Curve - Free Air



Frequency Response Measured at 2.83V/1m



*Frequency Response and Impedance curve Measured on WG14-50CR

PRVA AUDIO USA (USA and Export)
POMPANO BEACH, FL
support@prvaudio.com
www.prvaudio.com