

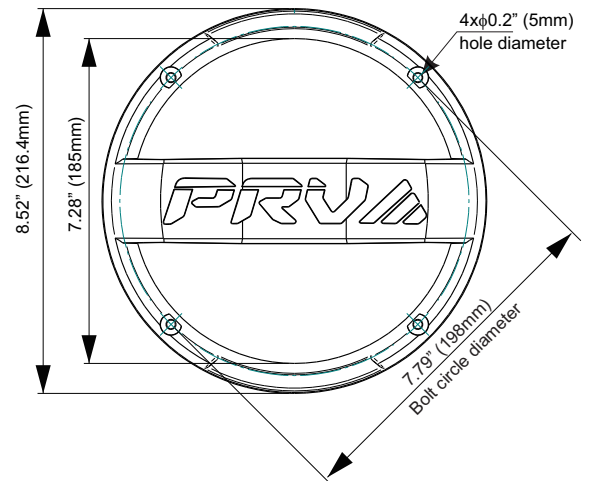
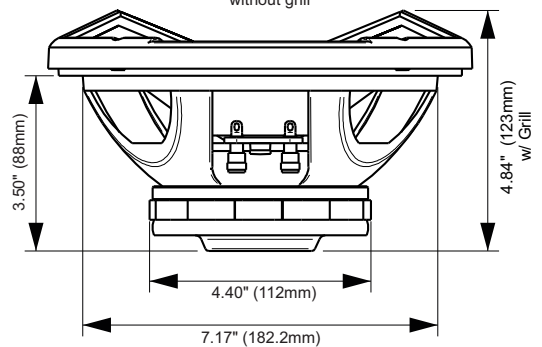
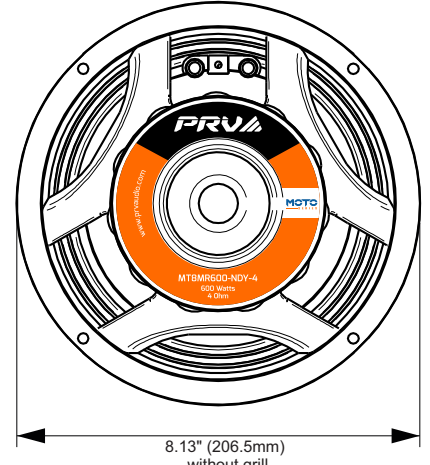
# MT8MR600-NDY-4

## Professional Mid Rnge Driver



### KEY FEATURES

- 600 Watts continuous program power
- 98 dB Sensitivity
- Water-resistant cone
- Lightweight neodymium magnet



GENERAL SPECIFICATIONS

THIELE-SMALL PARAMETERS

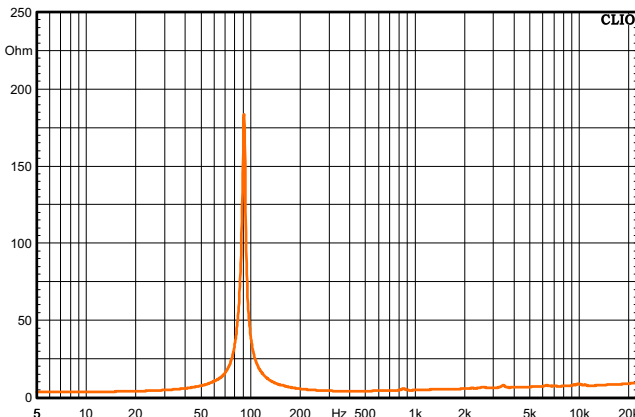
EXTRA INFO

Nominal Diameter	8" (203 mm)
Nominal impedance	4 Ohm
<b>Nominal Power Handling</b>	<b>300 Watt</b>
Continuous Program Power (RMS)	600 Watts
Max Peak Power	1200 Watts
<b>Sensitivity 2.00V at 1m</b>	<b>98 dB</b>
Recommended Hi Pass Crossover*	110 Hz*
<small>*For Full Power Handling</small>	<small>*12db Per Octave Crossover</small>
<b>Frequency Response</b>	<b>90 - 10,000 Hz</b>
Voice Coil Diameter	2.0" (51 mm)
Voice Coil Wire	CCAW
Voice Coil Winding Depth	11.0 mm
Former Material	Kapton
Magnetic Gap Depth	7.0 mm
Frame Material	Die Cast Aluminum

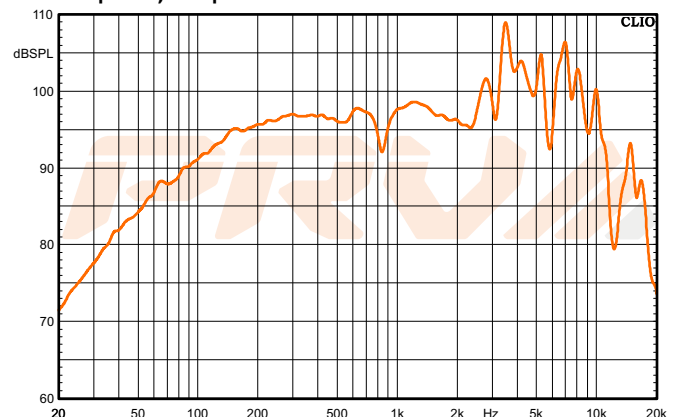
Equivalent Volume	Vas	10.52 l
Excursion	Xmax	3.75 mm
Free Air Resonance	Fs	91.00 Hz
Mechanical Factor	Qms	23.19
Electrical Factor	Qes	0.43
Total Factor	Qts	0.42
Cone Area	Sd	227 cm <sup>2</sup>
Mechanical Mass	Mms	21.91 g
Bl Factor	Bl	9.86 Tm
Dc Resistance	Re	3.3 Ohm
Inductance	Le	0.108mH at 1 kHz
Mechanical Mass Without Air	Mmd	19.97 g
Mechanical Compliance	Cms	0.140 mm/N

Speaker Overall Diameter	8.13" (206.5 mm)
Front Mount Baffle Cutout	7.17" (182.2 mm)
Mounting Depth	3.50" (89 mm)
Overall Depth (with grill)	4.84" (123 mm)
Net Weight	4.4 Lbs (2.0 kg)
Shipping Weight	5.29 Lbs (2.4 kg)
Carton Dimensions W x L x H	10.35" x 9.92" x 5.71" (263 x 252 x 145 mm)

Impedance Curve - Free Air



Frequency Response Measured at 2.00V/1m



\*\*Xmax=(Voice coil winding depth-Magnetic Gap depth)/2+ Magnetic Gap Depth/4  
 \*\*\* T-S parameters measured after 2 hours at 1/2 Rated power, pink noise preconditioning test

PRVA AUDIO USA (USA and Export)  
 POMPANO BEACH, FL  
 support@prvaudio.com  
 www.prvaudio.com