

12W2000

Professional Low Frequency Driver



KEY FEATURES

- 4" Inside outside voice coil
- 2000 Watts continuous program power
- 94 dB Sensitivity
- 50 - 2,200 Hz



GENERAL SPECIFICATIONS

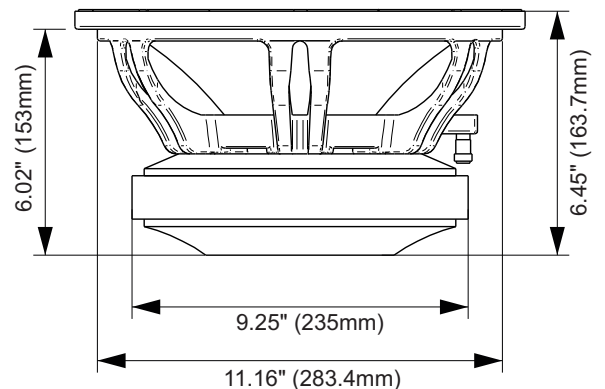
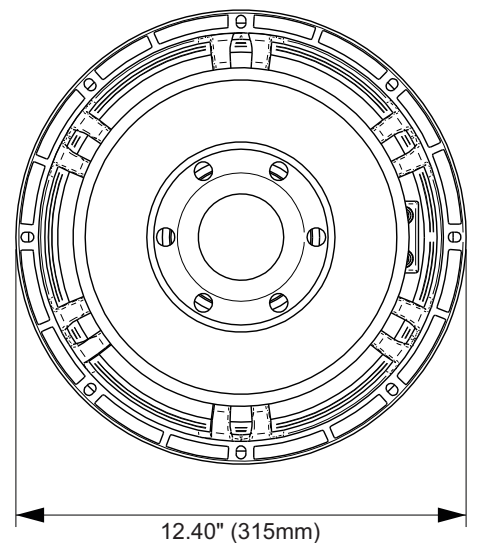
Nominal Diameter	12" (305 mm)
Nominal impedance	8 Ohm
Nominal Power Handling	1000 Watts
Continuous Program Power (RMS)	2000 Watts
Max Peak Power	4000 Watts
Sensitivity 2.83V at 1m	94 dB
Recommended Hi Pass Crossover*	60 Hz*
<small>*For Full Power Handling</small>	<small>*18db Per Octave Crossover</small>
Frequency Response	50 - 2,200 Hz
Voice Coil Diameter	4" (100 mm)
Voice Coil Wire	Copper
Voice Coil Winding Depth	28.0 mm
Former Material	Glass Fiber
Magnetic Gap Depth	15.0 mm
Frame Material	Die cast aluminum

THIELE-SMALL PARAMETERS

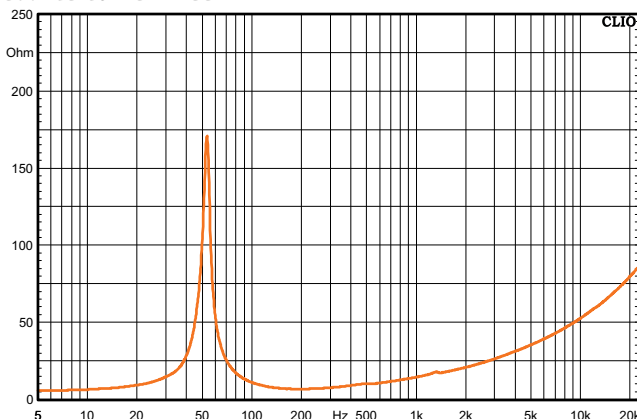
Equivalent Volume	Vas	38.7 l
Excursion (mathematical)***	Xmax	10.25 mm
Free Air Resonance	Fs	53.4 Hz
Mechanical Factor	Qms	12.25
Electrical Factor	Qes	0.38
Total Factor	Qts	0.37
Cone Area	Sd	594 cm ²
Mechanical Mass	Mms	113.2 g
Bl Factor	Bl	22.65 Tm
Dc Resistance	Re	5.1 Ohm
Inductance	Le	1.50 mH at 1 kHz
Mechanical Mass Without Air	Mmd	105.0 g
Mechanical Compliance	Cms	0.078 mm/N

EXTRA INFO

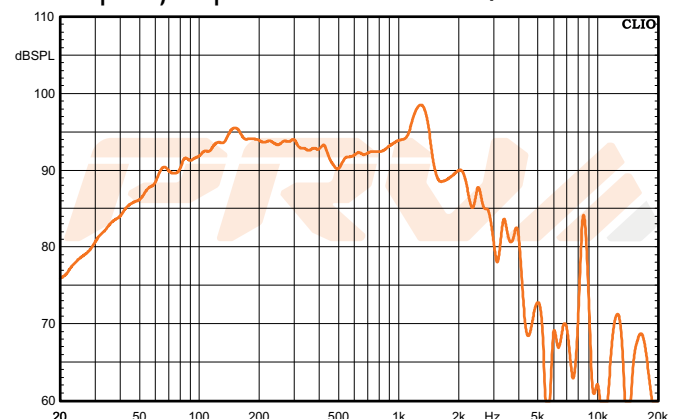
Overall Diameter	12.40" (315 mm)
Front Mount Baffle Cutout	11.16" (283.4 mm)
Mounting Depth	6.02" (153 mm)
Overall Depth	6.45" (163.7 mm)
Net Weight	31.52 Lbs (14.30 kg)
Shipping Weight	33.51 Lbs (15.20 kg)
Carton Dimensions W x L x H	13.19" x 13.19" x 7.68" (335 x 335 x 195 mm)



Impedance Curve - Free Air



Frequency Response Measured at 2.83V/1m



**Xmax=(Voice coil winding depth-Magnetic Gap depth)/2+ Magnetic Gap Depth/4
 *** T-S parameters measured after 2 hours at 1/2 Rated power, pink noise preconditioning test