

# 12MR1200X

Professional Mid Range Driver



## KEY FEATURES

- 3" Voice coil
- 1200 Watts continuous program power
- 101.5 dB Sensitivity
- 70 - 6,500 Hz



## GENERAL SPECIFICATIONS

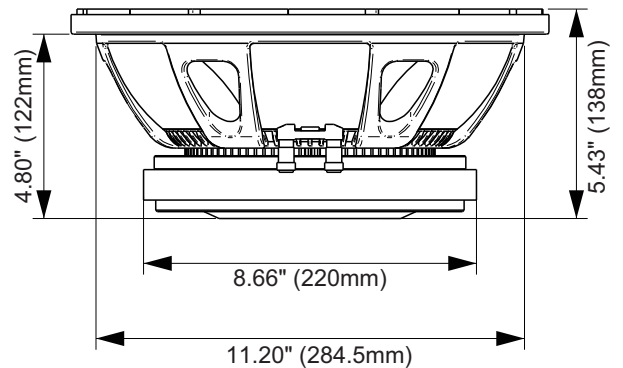
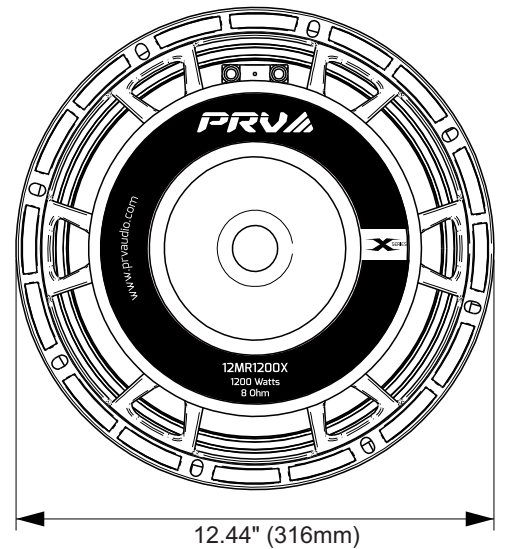
Nominal Diameter	12" (305 mm)
Nominal impedance	8 Ohm
<b>Nominal Power Handling</b>	<b>600 Watts</b>
Continuous Program Power (RMS)	1200 Watts
Max Peak Power	2400 Watts
<b>Sensitivity 2.83V at 1m</b>	<b>101.5 dB</b>
Recommended Hi Pass Crossover*	120 Hz*
<small>*For Full Power Handling</small>	<small>*12db Per Octave Crossover</small>
<b>Frequency Response</b>	<b>70 - 6,500 Hz</b>
Voice Coil Diameter	3" (76 mm)
Voice Coil Wire	Copper
Voice Coil Winding Depth	14.0 mm
Former Material	Glass fiber
Magnetic Gap Depth	10.0 mm
Frame Material	Die cast Aluminum

## THIELE-SMALL PARAMETERS

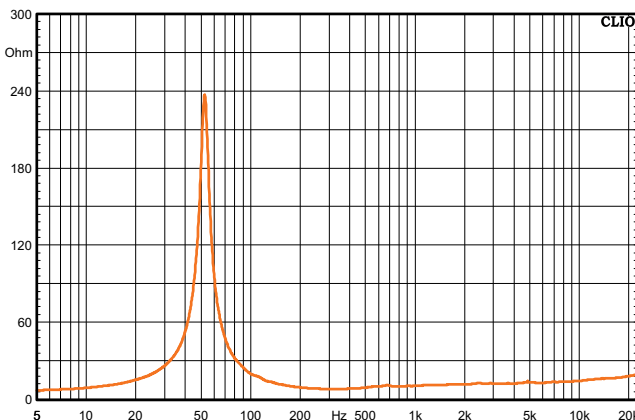
Equivalent Volume	Vas	71.8 l
Excursion (mathematical)***	Xmax	4.50 mm
Free Air Resonance	Fs	52.5 Hz
Mechanical Factor	Qms	8.56
Electrical Factor	Qes	0.21
Total Factor	Qts	0.21
Cone Area	Sd	552 cm <sup>2</sup>
Mechanical Mass	Mms	54.3 g
Bl Factor	Bl	22.0 Tm
Dc Resistance	Re	5.8 Ohm
Inductance	Le	0.23 mH at 1 kHz
Mechanical Mass Without Air	Mmd	47.0 g
Mechanical Compliance	Cms	0.169 mm/N

## EXTRA INFO

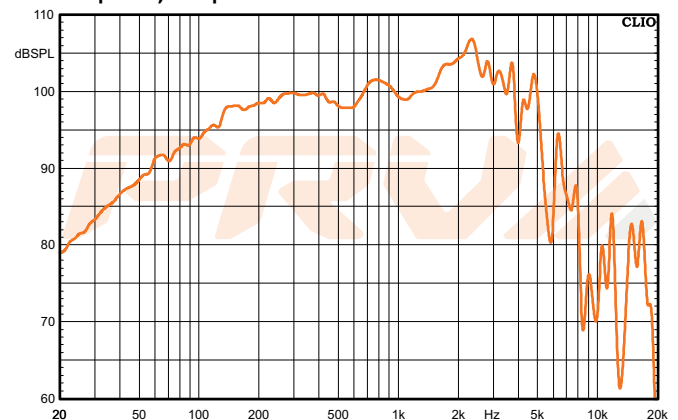
Overall Diameter	12.44" (316 mm)
Front Mount Baffle Cutout	11.20" (284.5 mm)
Mounting Depth	4.80" (122 mm)
Overall Depth	5.43" (138 mm)
Net Weight	20.65 Lbs (9.36 kg)
Shipping Weight	22.40 Lbs (10.16 kg)
Carton Dimensions W x L x H	13.38" x 13.38" x 6.50" (340 x 340 x 165 mm)



Impedance Curve - Free Air



Frequency Response Measured at 2.83V/1m



\*\*Xmax=(Voice coil winding depth-Magnetic Gap depth)/2+ Magnetic Gap Depth/4  
 \*\*\* T-S parameters measured after 2 hours at 1/2 Rated power, pink noise preconditioning test

PRV AUDIO USA (USA and Export)  
 POMPANO BEACH, FL  
 support@prvaudio.com  
 www.prvaudio.com