

15W1800

Professional Low Frequency Driver



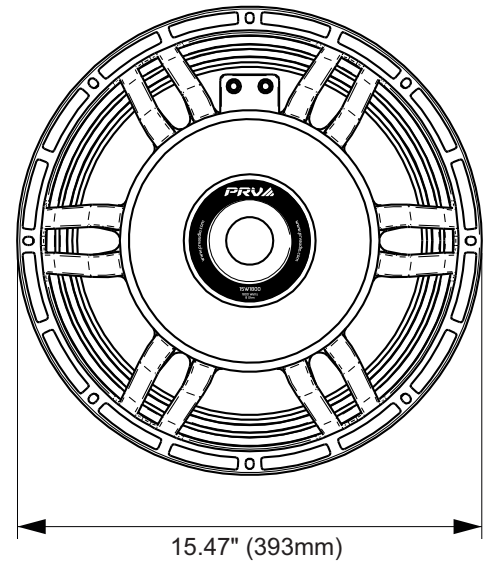
KEY FEATURES

- 4" Voice coil
- 1800 Watts continuous program power
- 96.5 dB Sensitivity
- 48 - 2,500 Hz



GENERAL SPECIFICATIONS

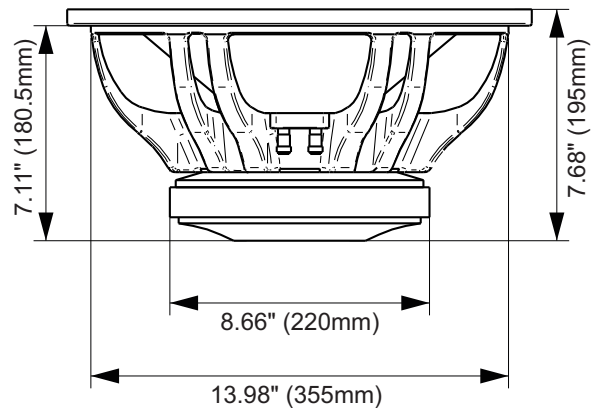
Nominal Diameter	15" (381 mm)
Nominal impedance	8 Ohm
Nominal Power Handling	900 Watts
Continuous Program Power (RMS)	1800 Watts
Max Peak Power	3600 Watts
Sensitivity 2.83V at 1m	96.5 dB
Recommended Hi Pass Crossover*	55 Hz*
<small>*For Full Power Handling</small>	<small>*12db Per Octave Crossover</small>
Frequency Response	48 - 2,500 Hz
Voice Coil Diameter	4" (100 mm)
Voice Coil Wire	Copper
Voice Coil Winding Depth	25.0 mm
Former Material	Glass Fiber
Magnetic Gap Depth	12.0 mm
Frame Material	Die cast aluminum



15.47" (393mm)

THIELE-SMALL PARAMETERS

Equivalent Volume	Vas	100.4 l
Excursion (mathematical)***	Xmax	9.50 mm
Free Air Resonance	Fs	45.3 Hz
Mechanical Factor	Qms	14.60
Electrical Factor	Qes	0.43
Total Factor	Qts	0.42
Cone Area	Sd	962 cm ²
Mechanical Mass	Mms	159.0 g
Bl Factor	Bl	23.16 Tm
Dc Resistance	Re	5.1 Ohm
Inductance	Le	1.50 mH at 1 kHz
Mechanical Mass Without Air	Mmd	142.1 g
Mechanical Compliance	Cms	0.078 mm/N



7.11" (180.5mm)

7.68" (195mm)

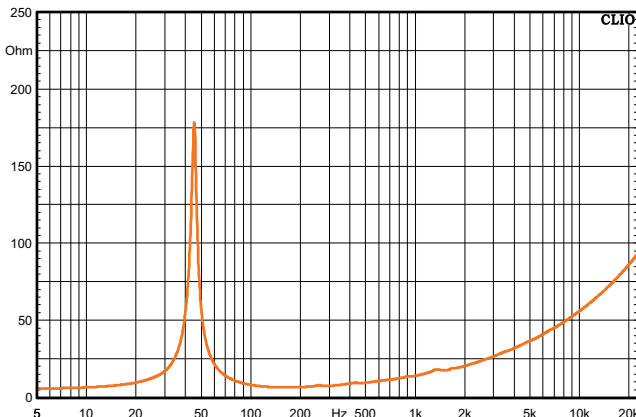
8.66" (220mm)

13.98" (355mm)

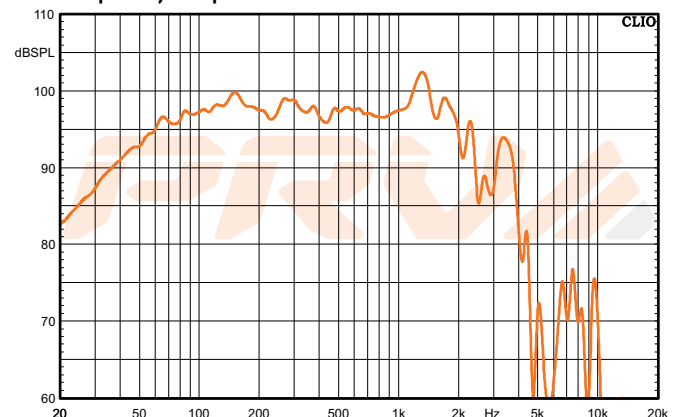
EXTRA INFO

Overall Diameter	15.47" (393 mm)
Front Mount Baffle Cutout	13.98" (355 mm)
Mounting Depth	7.11" (180.5 mm)
Overall Depth	7.68" (195 mm)
Net Weight	26.45 Lbs (12.0 kg)
Shipping Weight	31.08 Lbs (14.1 kg)
Carton Dimensions W x L x H	17.51" x 17.51" x 9.45" (445 x 445 x 240 mm)

Impedance Curve - Free Air



Frequency Response Measured at 2.83V/1m



**Xmax=(Voice coil winding depth-Magnetic Gap depth)/2+ Magnetic Gap Depth/4
 *** T-S parameters measured after 2 hours at 1/2 Rated power, pink noise preconditioning test

PRVA AUDIO USA (USA and Export)
 POMPANO BEACH, FL
 support@prvaudio.com
 www.prvaudio.com