

6MR400CF-4

Professional Mid Range Driver



KEY FEATURES

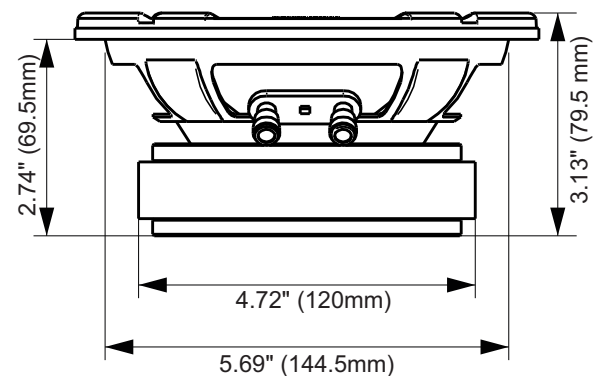
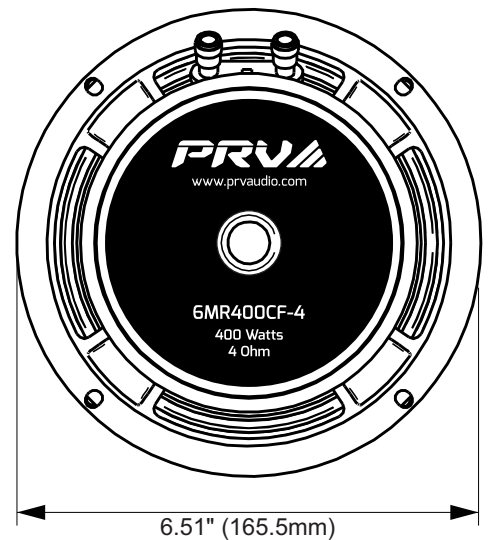
- 1.5" Voice coil
- 400 Watts continuous program power
- 95 dB Sensitivity
- 120 - 12,000 Hz



GENERAL SPECIFICATIONS

Nominal Diameter	6.5" (165 mm)
Nominal impedance	4 Ohm
Nominal Power Handling	200 Watts
Continuous Program Power (RMS)	400 Watts
Max Peak Power	800 Watts
Sensitivity 2.00V at 1m	95 dB
Recommended Hi Pass Crossover*	145 Hz*
<small>*For Full Power Handling</small>	<small>*12db Per Octave Crossover</small>
Frequency Response	120 - 12,000 Hz
Voice Coil Diameter	1.5 (38 mm)
Voice Coil Wire	CCAW
Voice Coil Winding Depth	10.0 mm
Former Material	Kapton
Magnetic Gap Depth	6.0 mm
Frame Material	Stamped steel

THIELE-SMALL PARAMETERS

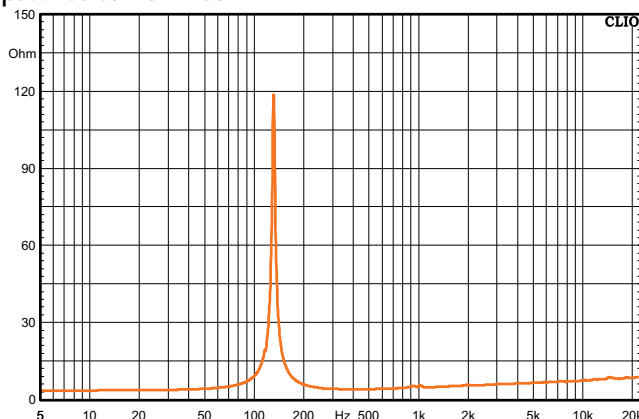


Equivalent Volume	Vas	4.11 l
Excursion	Xmax	3.50 mm
Free Air Resonance	Fs	131.1 Hz
Mechanical Factor	Qms	26.61
Electrical Factor	Qes	0.78
Total Factor	Qts	0.76
Cone Area	Sd	150 cm ²
Mechanical Mass	Mms	11.19 g
Bl Factor	BL	6.32 Tm
Dc Resistance	Re	3.4 Ohm
Inductance	Le	0.151mH at 1 kHz
Mechanical Mass Without Air	Mmd	10.15 g
Mechanical Compliance	Cms	0.132 mm/N

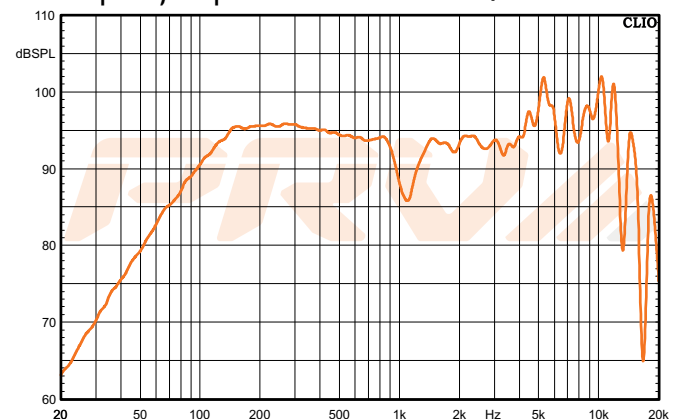
EXTRA INFO

Overall Diameter	6.51" (165.5 mm)
Front Mount Baffle Cutout	5.69" (144.5 mm)
Mounting Depth	2.74" (69.5 mm)
Overall Depth	3.13" (79.5 mm)
Net Weight	4.20 Lbs (1.90 kg)
Shipping Weight	5.07 Lbs (2.30 kg)
Carton Dimensions W x L x H	6.89" x 6.89" x 3.54". (175 x 175 x 90 mm)

Impedance Curve - Free Air



Frequency Response Measured at 2.00V/1m



**Xmax=(Voice coil winding depth-Magnetic Gap depth)/2+ Magnetic Gap Depth/4
 *** T-S parameters measured after 2 hours at 1/2 Rated power, pink noise preconditioning test