

8MR450CF-4

Professional Mid Range Driver



KEY FEATURES

- 1.5" Voice coil
- 450 Watts continuous program power
- 96 dB Sensitivity
- 95 - 10,000 Hz



GENERAL SPECIFICATIONS

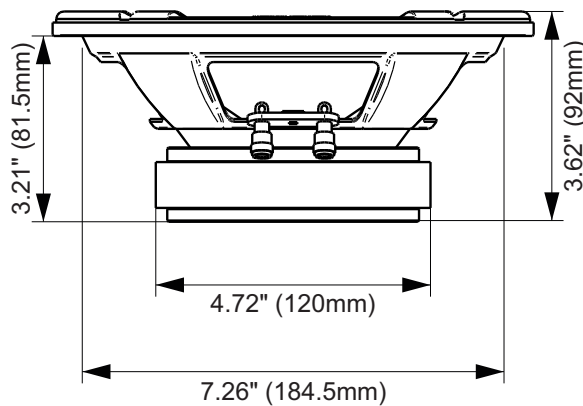
Nominal Diameter	8" (203 mm)
Nominal impedance	4 Ohm
Nominal Power Handling	225 Watts
Continuous Program Power (RMS)	450 Watts
Max Peak Power	900 Watts
Sensitivity 2.00V at 1m	96 dB
Recommended Hi Pass Crossover*	125 Hz*
<small>*For Full Power Handling</small>	<small>*12db Per Octave Crossover</small>
Frequency Response	95 - 10,000 Hz
Voice Coil Diameter	1.5" (38 mm)
Voice Coil Wire	CCAW
Voice Coil Winding Depth	10.0 mm
Former Material	Kapton
Magnetic Gap Depth	6.0 mm
Frame Material	Stamped Steel

THIELE-SMALL PARAMETERS

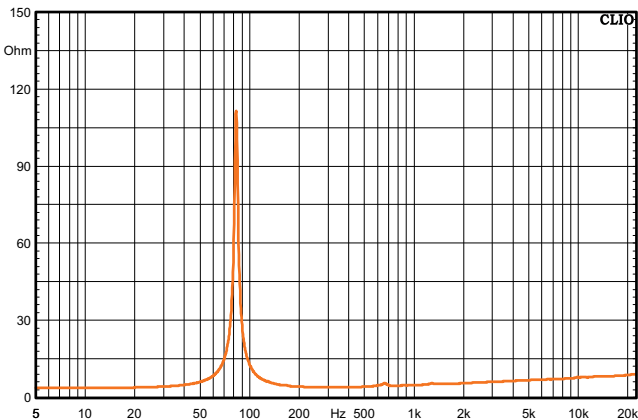
Equivalent Volume	Vas	17.53 l
Excursion (mathematical)***	Xmax	3.50 mm
Free Air Resonance	Fs	82.8 Hz
Mechanical Factor	Qms	23.21
Electrical Factor	Qes	0.73
Total Factor	Qts	0.71
Cone Area	Sd	227 cm ²
Mechanical Mass	Mms	15.16 g
Bl Factor	Bl	6.06 Tm
Dc Resistance	Re	3.4 Ohm
Inductance	Le	0.15 mH at 1 kHz
Mechanical Mass Without Air	Mmd	13.23 g
Mechanical Compliance	Cms	0.244 mm/N

EXTRA INFO

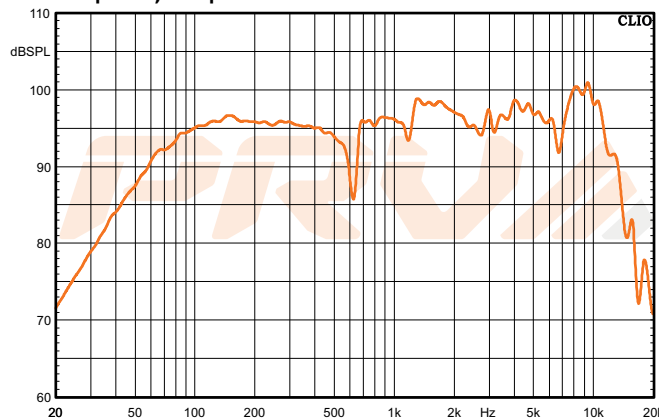
Overall Diameter	8.27" (210 mm)
Front Mount Baffle Cutout	7.26" (184.5 mm)
Mounting Depth	3.21" (81.5 mm)
Overall Depth	3.62" (92 mm)
Net Weight	4.63 Lbs (2.10 kg)
Shipping Weight	5.51 Lbs (2.50 kg)
Carton Dimensions W x L x H	8.85" x 8.85" x 4.21" (225 x 225 x 107 mm)



Impedance Curve - Free Air



Frequency Response Measured at 2.00V/1m



**Xmax=(Voice coil winding depth-Magnetic Gap depth)/2+ Magnetic Gap Depth/4
 *** T-S parameters measured after 2 hours at 1/2 Rated power, pink noise preconditioning test

PRVA AUDIO USA (USA and Export)
 POMPANO BEACH, FL
 support@prvaudio.com
 www.prvaudio.com