

RS10-SUBD4

Subwoofer



KEY FEATURES

- 2.6" Voice coil
- 1000 Watts continuous program power
- 84 dB Sensitivity

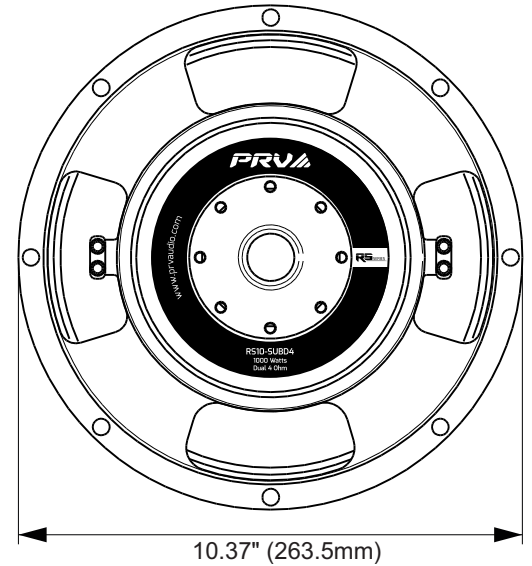


GENERAL SPECIFICATIONS

Nominal Diameter	10" (254 mm)
Nominal impedance	4 + 4 Ohm
Nominal Power Handling	500 Watts
Continuous Program Power (RMS)	1000 Watts
Max Peak Power	2000 Watts
Sensitivity 1.41V at 1m	84 dB (Parallel VC)
Voice Coil Diameter	2.6" (65.5 mm)
Voice Coil Wire	Copper
Voice Coil Winding Depth	40.0 mm
Former Material	Black Aluminum
Magnetic Gap Depth	10.0 mm
Frame Material	Stamped Steel

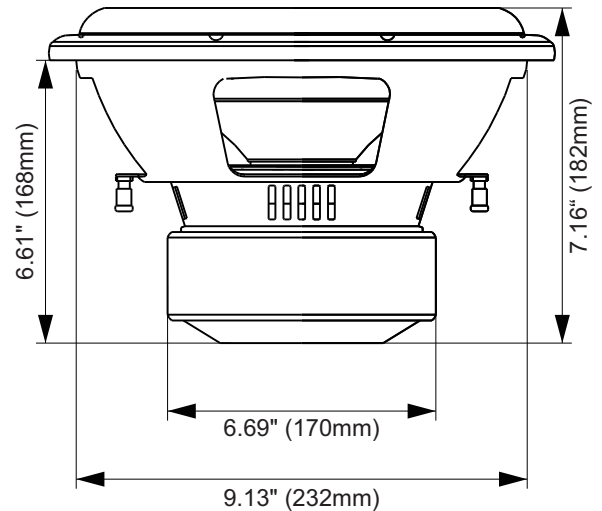
THIELE-SMALL PARAMETERS

Equivalent Volume	Vas	8.22 l
Excursion (mathematical)**	Xmax	17.5 mm
Free Air Resonance	Fs	48.5 Hz
Mechanical Factor	Qms	10.00
Electrical Factor	Qes	0.74
Total Factor	Qts	0.69
Cone Area	Sd	330 cm ²
Mechanical Mass	Mms	198.7 g
Bl Factor	Bl	11.76 Tm
Dc Resistance (Parallel VC)	Re	1.7 Ohm
Inductance	Le	1.54 mH at 1 kHz
Mechanical Mass Without Air	Mmd	195.3 g
Mechanical Compliance	Cms	0.054 mm/N



EXTRA INFO

Overall Diameter	10.37" (263.5 mm)
Front Mount Baffle Cutout	9.13" (232 mm)
Mounting Depth	6.61" (168 mm)
Overall Depth	7.16" (182 mm)
Net Weight	21.27 Lbs (9.65 kg)
Shipping Weight	24.25 Lbs (11.00 kg)
Carton Dimensions W x L x H	11.61" x 11.61" x 7.87" (295 x 295 x 200 mm)



RECOMMENDED ENCLOSURE

Type	Volume	Box Size	Port Size	Box Tuning
Sealed Enclosure	0.75 ft ³	11"x13"x9"	None	52 Hz
Single Sub Ported Enclosure	1.55 ft ³	11.5"x16.75"x14"	Slot shaped "11.5x1.50" by 26" Length	38 Hz
Dual Sub Ported Enclosure	2.88 ft ³	11.5"x31"x14"	Slot shaped "11.5"x3.0" by 28" Length	38 Hz

PRV AUDIO USA (USA and Export)
POMPANO BEACH, FL
support@prvaudio.com
www.prvaudio.com

**Xmax=(Voice coil winding depth-Magnetic Gap depth)/2+ Magnetic Gap Depth/4