

RS12-SUBD4

Subwoofer



KEY FEATURES

- 2.6" Voice coil
- 1000 Watts continuous program power
- 86 dB Sensitivity

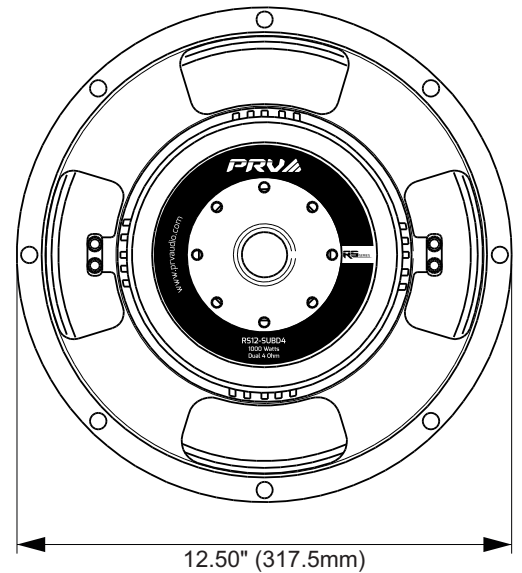


GENERAL SPECIFICATIONS

| | |
|--------------------------------|----------------------------|
| Nominal Diameter | 12" (305 mm) |
| Nominal impedance | 4 + 4 Ohm |
| Nominal Power Handling | 500 Watts |
| Continuous Program Power (RMS) | 1000 Watts |
| Max Peak Power | 2000 Watts |
| Sensitivity 1.41V at 1m | 86 dB (Parallel VC) |
| Voice Coil Diameter | 2.6" (65.5 mm) |
| Voice Coil Wire | Copper |
| Voice Coil Winding Depth | 40.0 mm |
| Former Material | Black Aluminum |
| Magnetic Gap Depth | 10.0 mm |
| Frame Material | Stamped Steel |

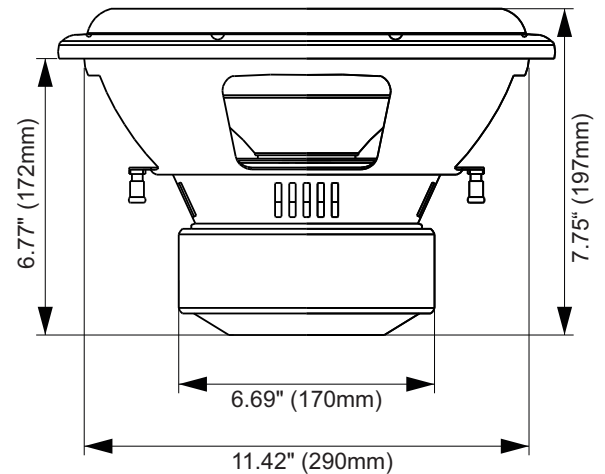
THIELE-SMALL PARAMETERS

| | | |
|-----------------------------|------|---------------------|
| Equivalent Volume | Vas | 21.2 l |
| Excursion (mathematical)** | Xmax | 17.5 mm |
| Free Air Resonance | Fs | 42.7 Hz |
| Mechanical Factor | Qms | 9.90 |
| Electrical Factor | Qes | 0.79 |
| Total Factor | Qts | 0.73 |
| Cone Area | Sd | 551 cm ² |
| Mechanical Mass | Mms | 237.5 g |
| Bl Factor | BL | 11.71 Tm |
| Dc Resistance (Parallel VC) | Re | 1.7 Ohm |
| Inductance | Le | 1.53 mH at 1 kHz |
| Mechanical Mass Without Air | Mmd | 230.9 g |
| Mechanical Compliance | Cms | 0.058 mm/N |



EXTRA INFO

| | |
|-----------------------------|---|
| Overall Diameter | 12.50" (317.5 mm) |
| Front Mount Baffle Cutout | 11.42" (290 mm) |
| Mounting Depth | 6.77" (172 mm) |
| Overall Depth | 7.75" (197 mm) |
| Net Weight | 21.56 Lbs (9.78 kg) |
| Shipping Weight | 25.35 Lbs (11.50 kg) |
| Carton Dimensions W x L x H | 13.78" x 13.78" x 8.66" (350 x 350 x 220 mm) |



RECOMMENDED ENCLOSURE

| Type | Volume | Box Size | Port Size | Box Tuning |
|-----------------------------|---------------------|-------------------|---------------------------------------|------------|
| Sealed Enclosure | 1.0 ft ³ | 12.5"x13.5"x10.5" | None | 47 Hz |
| Single Sub Ported Enclosure | 2.0 ft ³ | 12.5"x19"x15" | Slot shaped "12.5x1.50" by 22" Length | 36 Hz |
| Dual Sub Ported Enclosure | 4.2 ft ³ | 12.5"x34"x17" | Slot shaped 12.5"x3.0" by 28" Length | 32 Hz |

PRVA AUDIO USA (USA and Export)
POMPANO BEACH, FL
support@prvaudio.com
www.prvaudio.com

**Xmax=(Voice coil winding depth-Magnetic Gap depth)/2+ Magnetic Gap Depth/4