

# 10MR1200X

Professional Mid Range Driver



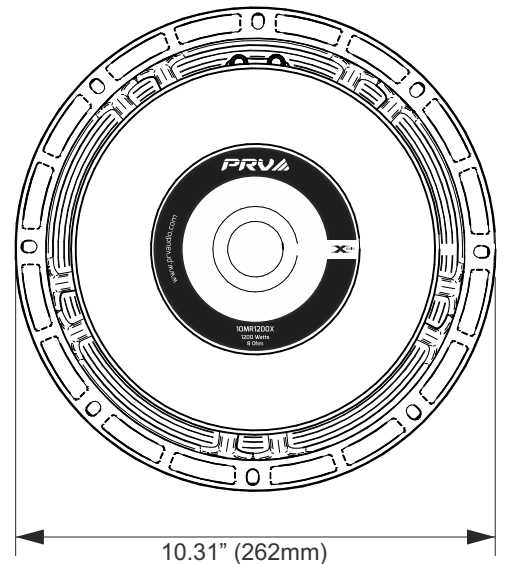
## KEY FEATURES

- 3" Voice coil
- 1200 Watts continuous program power
- 101 dB Sensitivity
- 80 - 7,000 Hz



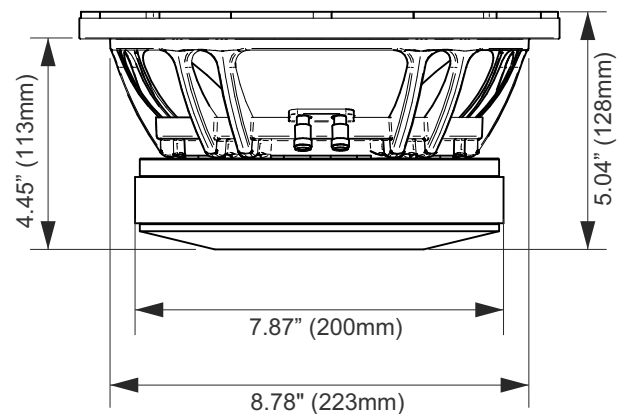
## GENERAL SPECIFICATIONS

Nominal Diameter	10" (254 mm)
Nominal impedance	8 Ohm
<b>Nominal Power Handling</b>	<b>600 Watts</b>
Continuous Program Power (RMS)	1200 Watts
Max Peak Power	2400 Watts
<b>Sensitivity 2.83V at 1m</b>	<b>101 dB</b>
Recommended Hi Pass Crossover*	150 Hz*
<small>*For Full Power Handling</small>	<small>*12db Per Octave Crossover</small>
<b>Frequency Response</b>	<b>80 - 7,000 Hz</b>
Voice Coil Diameter	3" (75 mm)
Voice Coil Wire	CCAW
Voice Coil Winding Depth	10.0 mm
Former Material	Glass fiber
Magnetic Gap Depth	10.0 mm
Frame Material	Die Cast Aluminum



## THIELE-SMALL PARAMETERS

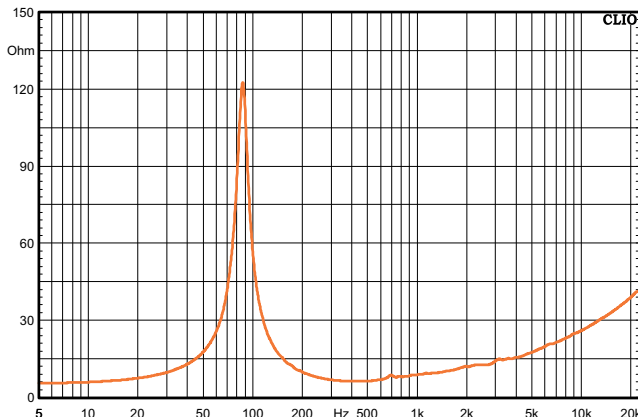
Equivalent Volume	Vas	21.8 l
Excursion (mathematical)***	Xmax	2.50 mm
Free Air Resonance	Fs	86.9 Hz
Mechanical Factor	Qms	6.97
Electrical Factor	Qes	0.30
Total Factor	Qts	0.29
Cone Area	Sd	394 cm <sup>2</sup>
Mechanical Mass	Mms	33.30 g
Bl Factor	Bl	17.50 Tm
Dc Resistance	Re	5.1 Ohm
Inductance	Le	0.52 mH at 1 kHz
Mechanical Mass Without Air	Mmd	28.84 g
Mechanical Compliance	Cms	0.100 mm/N



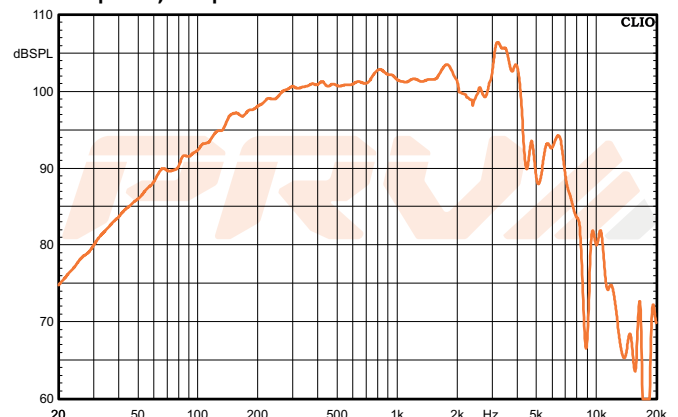
## EXTRA INFO

Overall Diameter	10.31" (262 mm)
Front Mount Baffle Cutout	8.78" (223 mm)
Mounting Depth	4.45" (113 mm)
Overall Depth	5.04" (128 mm)
Net Weight	19.18 Lbs (8.70 kg)
Shipping Weight	20.17 Lbs (9.15 kg)
Carton Dimensions W x L x H	11.22" x 11.22" x 5.91" (285 x 285 x 150 mm)

Impedance Curve - Free Air



Frequency Response Measured at 2.83V/1m



\*\*Xmax=(Voice coil winding depth-Magnetic Gap depth)/2+ Magnetic Gap Depth/4  
 \*\*\* T-S parameters measured after 2 hours at 1/2 Rated power, pink noise preconditioning test

PRVA AUDIO USA (USA and Export)  
 POMPANO BEACH, FL  
 support@prvaudio.com  
 www.prvaudio.com