

# 6MR400-4 BULLET

Professional Mid Range Driver



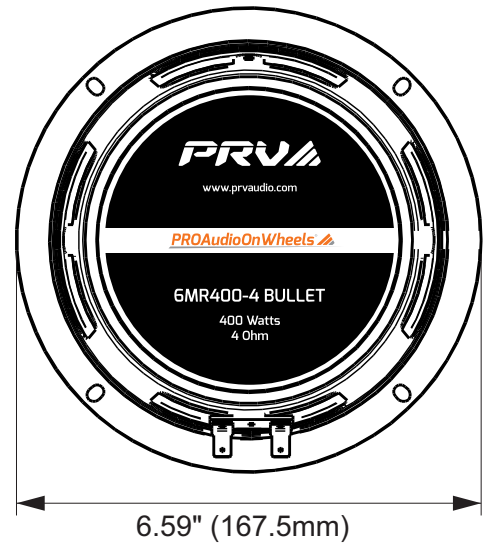
## KEY FEATURES

- 200 Watts continuous power handling
- 95 dB Sensitivity
- 145 - 12,500 Hz of frequency response



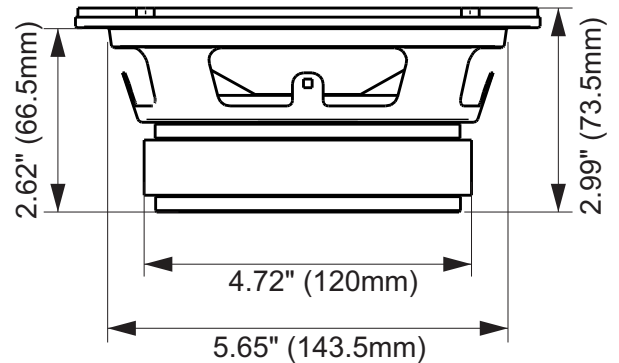
## GENERAL SPECIFICATIONS

Nominal Diameter	6" (152 mm)
Nominal impedance	4 Ohm
<b>Nominal Power Handling</b>	<b>200 Watts</b>
Continuous Program Power (RMS)	400 Watts
Max Peak Power	800 Watts
<b>Sensitivity 2.00V at 1m</b>	<b>95 dB</b>
Recommended Hi Pass Crossover*	145 Hz*
<small>*For Full Power Handling</small>	<small>*12db Per Octave Crossover</small>
<b>Frequency Response</b>	<b>145 - 12,500 Hz</b>
Voice Coil Diameter	1.5" (38 mm)
Voice Coil Wire	CCAW
Voice Coil Winding Depth	9.5 mm
Former Material	Kapton
Magnetic Gap Depth	6.0 mm
Frame Material	Stamped Steel



## THIELE-SMALL PARAMETERS

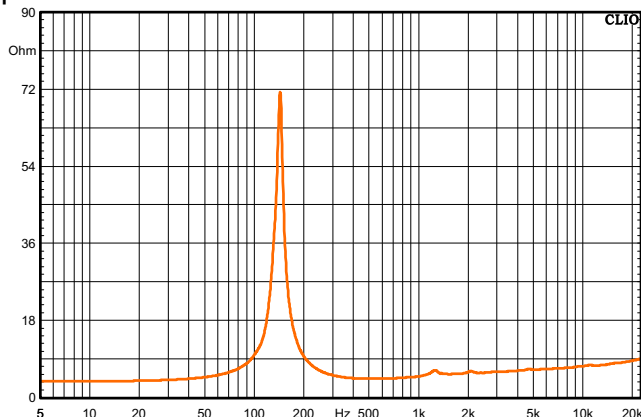
Equivalent Volume	Vas	4.40 l
Excursion	Xmax	3.25 mm
Free Air Resonance	Fs	144.1 Hz
Mechanical Factor	Qms	11.98
Electrical Factor	Qes	0.64
Total Factor	Qts	0.60
Cone Area	Sd	143 cm <sup>2</sup>
Mechanical Mass	Mms	7.94 g
Bl Factor	Bl	6.37 Tm
Dc Resistance	Re	3.6 Ohm
Inductance	Le	0.136mH at 1 kHz
Mechanical Mass Without Air	Mmd	6.97 g
Mechanical Compliance	Cms	0.154 mm/N



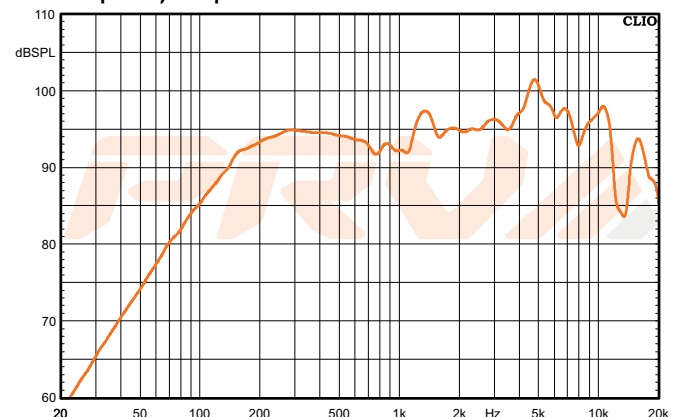
## EXTRA INFO

Overall Diameter	6.59" (167.5 mm)
Front Mount Baffle Cutout	5.65" (143.5 mm)
Mounting Depth	2.62" (66.5 mm)
Overall Depth	2.99 (73.5 mm)
Net Weight	4.81 Lbs (2.18 kg)
Shipping Weight	5.18 Lbs (2.35 kg)
Carton Dimensions W x L x H	8.5" x 8.5" x 3.35. (175 x 175 x 85 mm)

Impedance Curve - Free Air



Frequency Response Measured at 2.00V/1m



\*\*Xmax=(Voice coil winding depth-Magnetic Gap depth)/2+ Magnetic Gap Depth/4  
\*\*\* T-S parameters measured after 2 hours at 1/2 Rated power, pink noise preconditioning test

PRVA AUDIO USA (USA and Export)  
POMPAÑO BEACH, FL  
support@prvaudio.com  
www.prvaudio.com