

12MB2000FT-NDY

Professional Mid Bass Driver



KEY FEATURES

- 3,5" Voice coil
- 2000 Watts continuous program power
- 99.5 dB Sensitivity
- 72 - 5,200 Hz



GENERAL SPECIFICATIONS

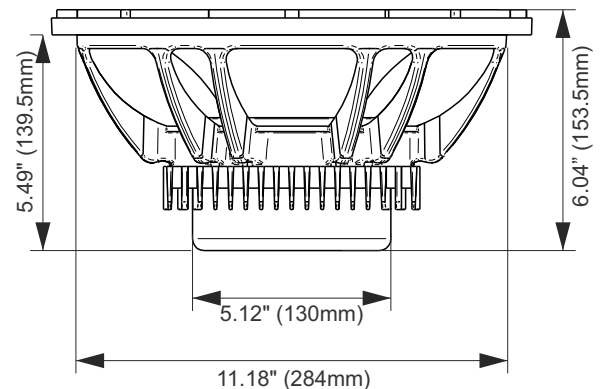
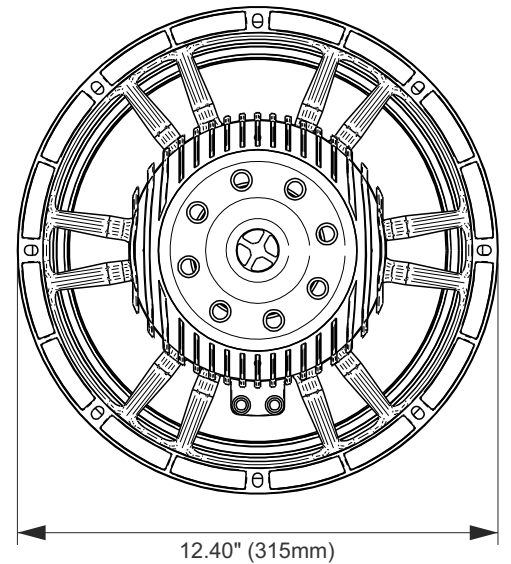
Nominal Diameter	12" (304 mm)
Nominal impedance	8 Ohm
Nominal Power Handling	1000 Watts
Continuous Program Power (RMS)	2000 Watts
Max Peak Power	4000 Watts
Sensitivity 2.83V at 1m	99.5 dB
Recommended High Pass Filter*	85 Hz*
<small>*For Full Power Handling</small>	<small>*12db Per Octave Crossover</small>
Frequency Response at -10dB	72 - 5,200 Hz
Voice Coil Diameter	3.5" (86 mm)
Voice Coil Wire	CCAW
Voice Coil Winding Depth	17.0 mm
Former Material	Glass Fiber
Magnetic Gap Depth	10.0 mm
Frame Material	Die cast Aluminum

THIELE-SMALL PARAMETERS

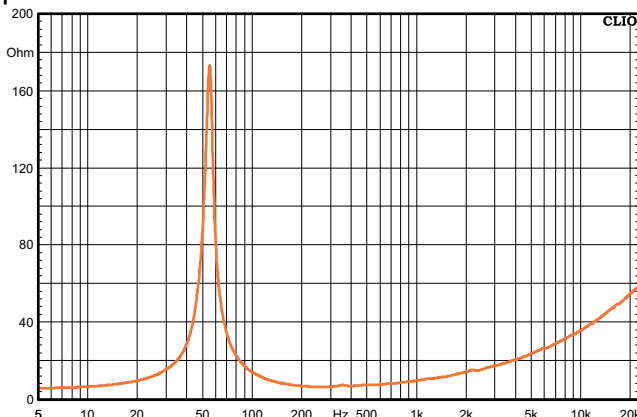
Equivalent Volume	Vas	71.5 l
Excursion (mathematical)***	Xmax	6.00 mm
Free Air Resonance	Fs	55.1 Hz
Mechanical Factor	Qms	10.30
Electrical Factor	Qes	0.31
Total Factor	Qts	0.30
Cone Area	Sd	585 cm ²
Mechanical Mass	Mms	55.69 g
Bl Factor	Bl	17.74 Tm
Dc Resistance	Re	5.1 Ohm
Inductance	Le	0.813mH at 1 kHz
Mechanical Mass Without Air	Mmd	47.67 g
Mechanical Compliance	Cms	0.149 mm/N

EXTRA INFO

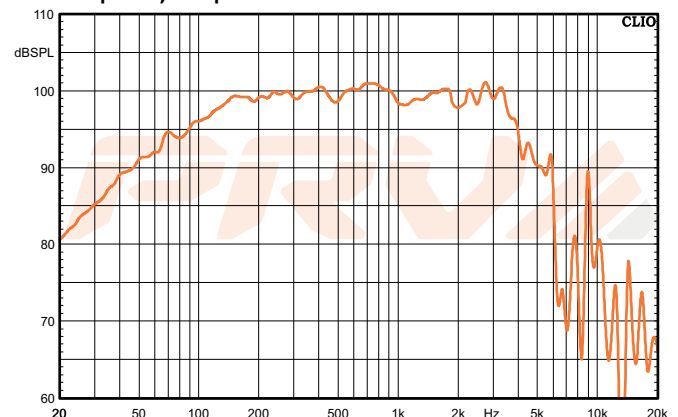
Overall Diameter	12.40" (315 mm)
Front Mount Baffle Cutout	11.18" (284 mm)
Mounting Depth	5.49" (139.5mm)
Overall Depth	6.04" (153.5 mm)
Net Weight	13.60 Lb (6.15 kg)
Shipping Weight	15.20 Lb (6.85 kg)
Carton Dimensions W x L x H	15.95" x 15.95" x 9.64" (405 x 405 x 245 mm)



Impedance Curve - Free Air



Frequency Response Measured at 2.83V/1m



PRV AUDIO USA (USA and Export)

Fort Lauderdale, FL

support@prvaudio.com

www.prvaudio.com

**Xmax=(Voice coil winding depth-Magnetic Gap depth)/2+ Magnetic Gap Depth/4
 *** T-S parameters measured after 2 hours at 1/2 Rated power, pink noise preconditioning test